

MID CENTRAL ELECTRIC, INC.
OREGON, WISCONSIN, U.S.A.

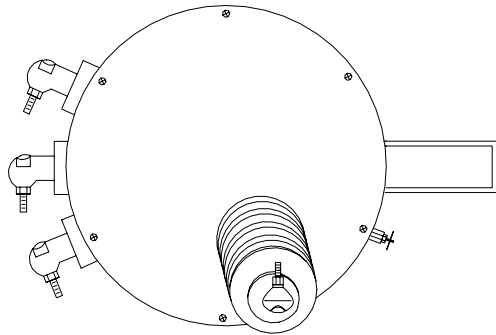
"FIXED LOAD" TRANSFORMER
CATALOG NO. 7.2-1-250-3-B2A-F-GHNPVW

United Utility Supply Part No. M103Y01114N0

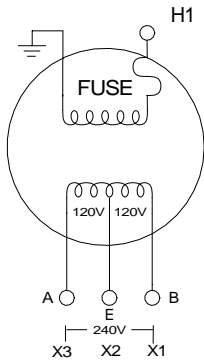
7200/120-240V
1.5 KVA
ADD POLARITY
WEIGHT APPROX. 78 LBS.
95 KV BIL

NOT TO SCALE

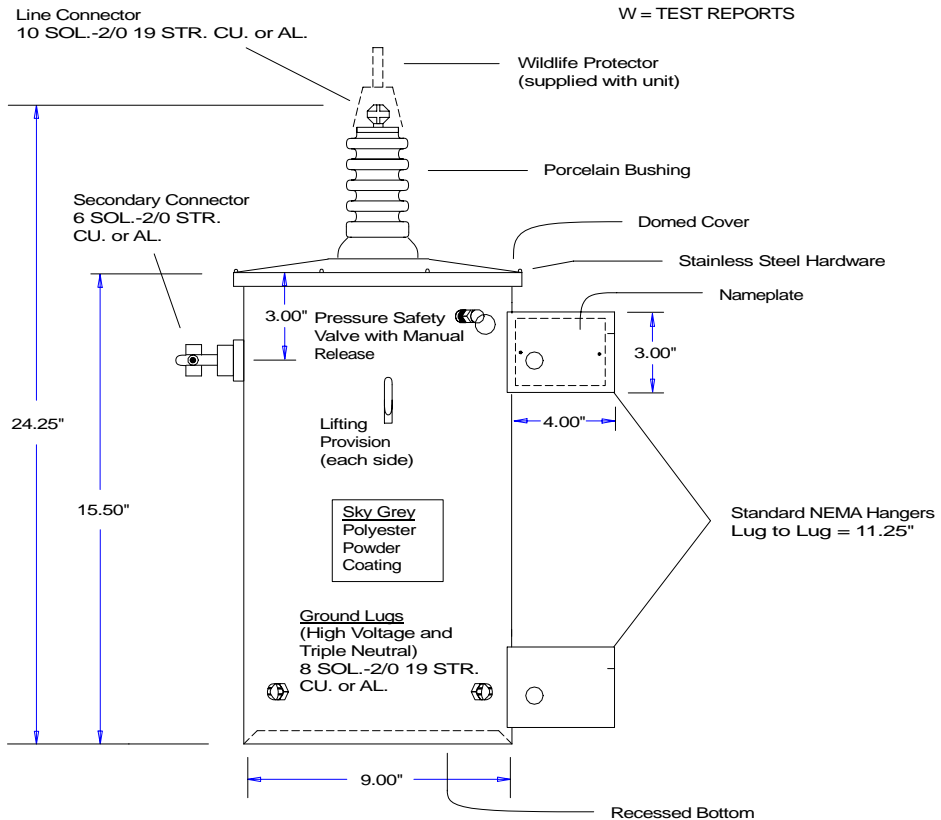
G = ARRESTOR MOUNTING PROVISIONS
H = 2 HANGER BRACKETS
N = COVER GROUND STRAP
P = SECONDARY GROUND STRAP
V = NON-PCB LABEL
W = TEST REPORTS



**ONE PRIMARY BUSHING
THREE SECONDARY BUSHINGS**

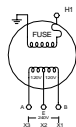


WIRING DIAGRAM



"FIXED LOAD" TRANSFORMER

VOLTAGE RATING 7200/120-240V
1.5 KVA
 SINGLE PHASE ADD _____ POLARITY
 65 C RISE 60 HERTZ
 TYPE OISC CU WINDINGS
 _____ S/N
 MID CENTRAL ELECTRIC, INC.
 OREGON, WISCONSIN USA
 FLUID CONTAINS NO PCB'S
 AT TIME OF MANUFACTURE
 MODEL NO. 7.2-1-250-3-B2A-F-GHNPVW



NAMEPLATE