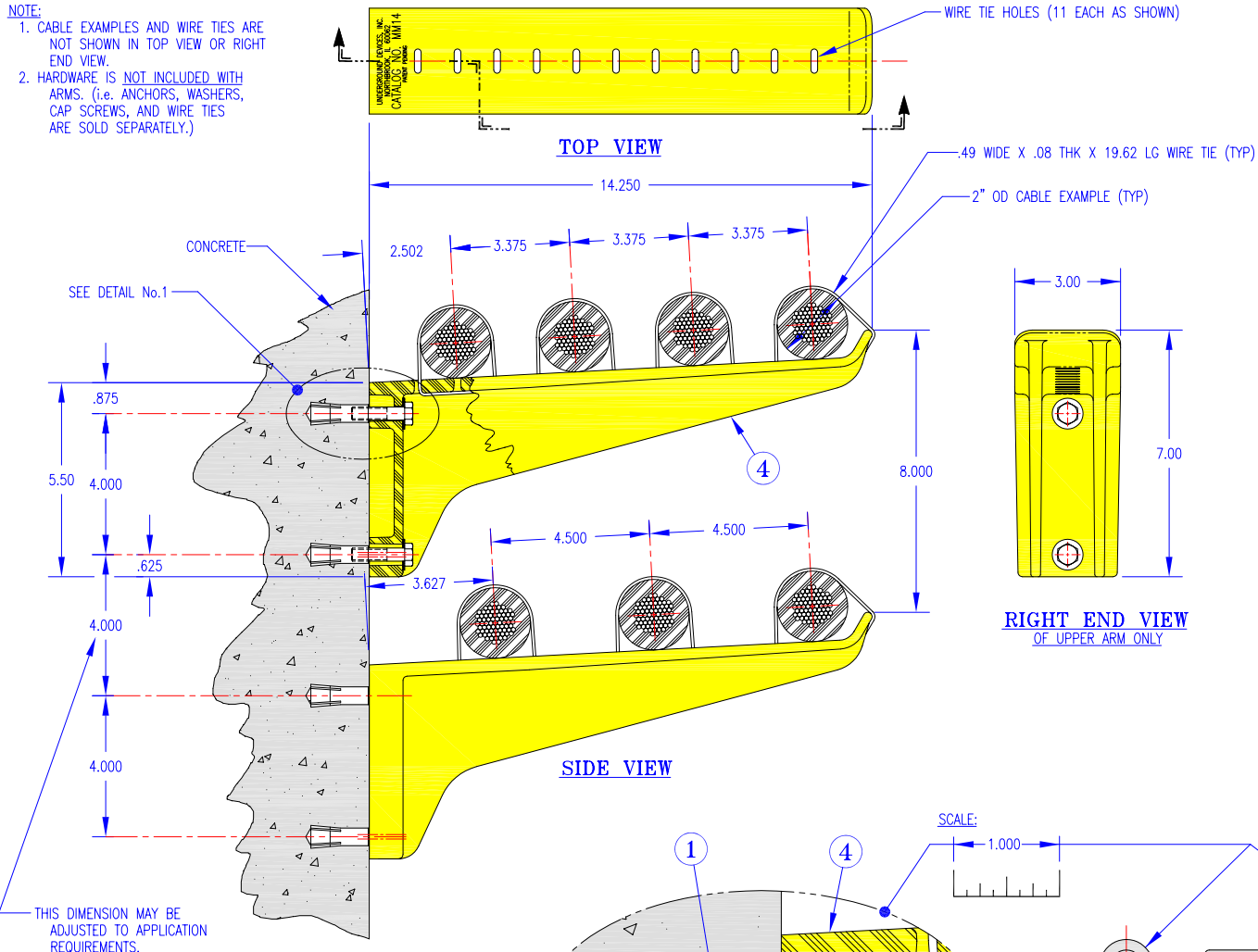


NOTE:

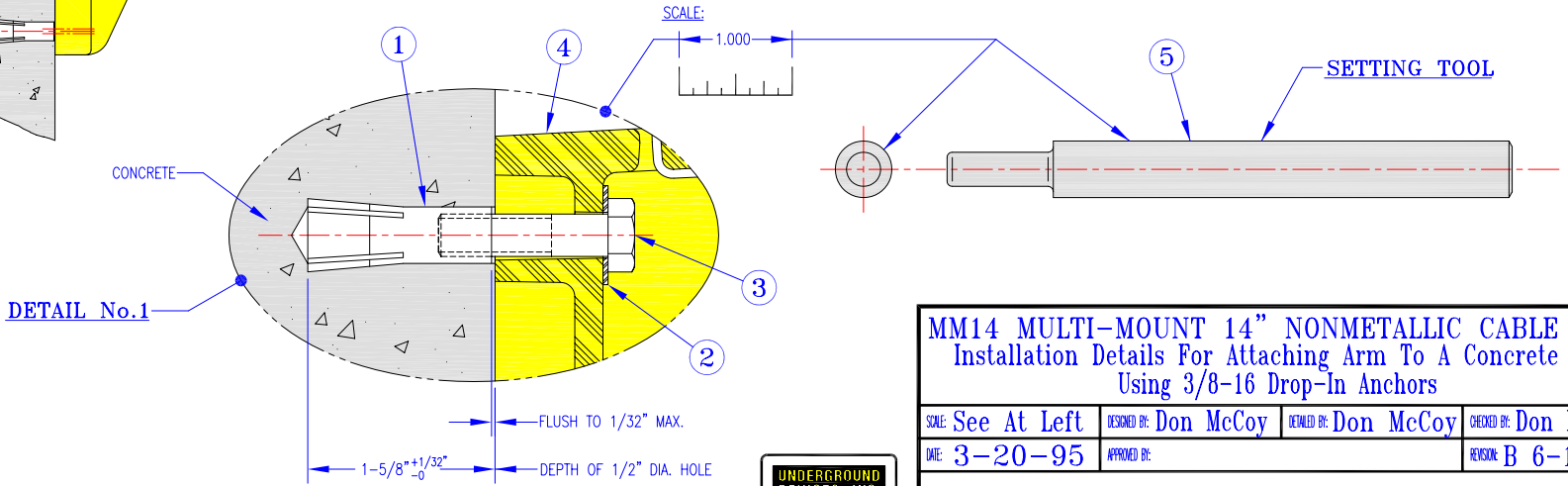
1. CABLE EXAMPLES AND WIRE TIES ARE NOT SHOWN IN TOP VIEW OR RIGHT END VIEW.
2. HARDWARE IS NOT INCLUDED WITH ARMS. (i.e. ANCHORS, WASHERS, CAP SCREWS, AND WIRE TIES ARE SOLD SEPARATELY.)



BILL OF MATERIAL			
ITEM NUMBER	CATALOG NUMBER	DESCRIPTION	QUANTITY REQUIRED PER ARM
①	FSRM-38	3/8"-16 DROP-IN ANCHOR Material: 303 STAINLESS STEEL	2
②	FFW316-13-28	FLAT WASHER ID=.406, OD=.875, THK=.045 Material: 316 STAINLESS STEEL	2
③	FHC316-12-048	3/8"-16 X 1-1/2" LG. HEX HEAD CAP SCREW Material: 316 STAINLESS STEEL	2
④	MM14	MM14 ARM Material: Glass Reinforced Nylon	1
⑤	FRT-138	SETTING TOOL (Use to install Catalog No. FSRM-38 Drop-in Anchor)	AS REQ'D

- GENERAL INSTALLATION GUIDELINES**
For the highest cable arm load capacity:
1. INSTALL DROP-IN ANCHORS AS SHOWN IN THIS DRAWING AND AS DESCRIBED BELOW:
 - A. DRILL 1/2" DIAMETER HOLES 1-5/8" DEEP.
 - B. BLOW OUT HOLES.
 - C. DRIVE ANCHORS FLUSH WITH THE SURFACE OF CONCRETE.
 - D. EXPAND ANCHORS WITH FRT-138 SETTING TOOL. THE ANCHOR IS PROPERLY EXPANDED WHEN SHOULDER OF SETTING TOOL IS FLUSH WITH THE TOP OF ANCHOR.
 2. INSTALL FLAT WASHERS AND TIGHTEN CAP SCREWS JUST ENOUGH TO ATTAIN A SNUG FIT. AVOID HIGH SCREW TORQUE WHICH INDUCES COMPRESSIVE STRESS.

- HEX HEAD CAP SCREW AND WASHER NOTES:**
1. UNDERGROUND DEVICES, INC. TYPE 316 STAINLESS STEEL CAP SCREWS CONFORM TO ASTM F593G316.
 2. "F593G316" AND THE MANUFACTURER'S IDENTIFICATION IS STAMPED ON THE HEAD OF EACH CAP SCREW.
 3. "316" IS STAMPED ON ONE SIDE OF EVERY UNDERGROUND DEVICES, INC. TYPE 316 STAINLESS STEEL WASHER.
 4. TYPE 316 STAINLESS STEEL CAP SCREWS AND WASHERS ARE MORE CORROSION RESISTANT THAN TYPE 18-8 STAINLESS STEEL.
 5. TYPE 316 STAINLESS STEEL IS NON-MAGNETIC.



MM14 MULTI-MOUNT 14" NONMETALLIC CABLE ARM
Installation Details For Attaching Arm To A Concrete Wall
Using 3/8-16 Drop-In Anchors

SCALE: See At Left	DESIGNED BY: Don McCoy	DETAILED BY: Don McCoy	CHECKED BY: Don McCoy
DATE: 3-20-95	APPROVED BY:	REVISION: B 6-13-95	

1st Designed For TYPICAL INSTALLATION OF CABLE RACKS

UNDERGROUND DEVICES, INC. DRAWING NUMBER: **90-529**
NORTHBROOK, ILLINOIS 60062 - PHONE: (847) 205-9000 PAGE 1 OF 1

THIS INFORMATION IS BASED ON OUR EXPERIENCE TO DATE AND WE BELIEVE IT TO BE RELIABLE. IT IS INTENDED ONLY AS A GUIDE FOR USE AT YOUR DISCRETION AND RISK. WE CANNOT GUARANTEE FAVORABLE RESULTS AND ASSUME NO LIABILITY IN CONNECTION WITH ITS USE OR USE OF THE PRODUCTS DESCRIBED.

PATENT PENDING

