

### NGWL-40W12S

- E26, E27, E39, E40 socket available.
- 125~135Lm/W light effi.
- Aluminum PCB with heatsink design cooling fast.
- Replace MH, CFL, HPS, HID, incandescent, mercury.
- Application in Warehouse, Garden, House, park,
- street, commercial lighting, etc.



### Electrical data

Rated wattage	40W
Input Voltage	85~265V(AC100-277V is available)
Operating frequency	50/60 Hz
Rated power factor $\lambda$	>0.9
Power Efficiency	>0.9
Ambient temperature	-45~45 °C
Replacement conventional lamp power	NO
Protection grade	IP40
Dimmable	NO
Material	ASA+Aluminum
Gross weight	0.62kgs
Net weight	0.60kgs

### Light technical data

Beam angle	360 degree
Light Source	NO
Luminous flux	4332.26lm
Color temperature:	
Warm White:	2,800 ~ 3,200 K
NaturalWhite:	4,000 ~ 4500 K
Cool White:	6,000 ~ 6,500K
Color rendering index Ra:	Ra>80
Lifespan:	50,000hrs

**DIMENSIONS**



### 40W LED Corn Light

**Product Mark**

Product Type :40W LED Corn Light

Manufacturer :NO

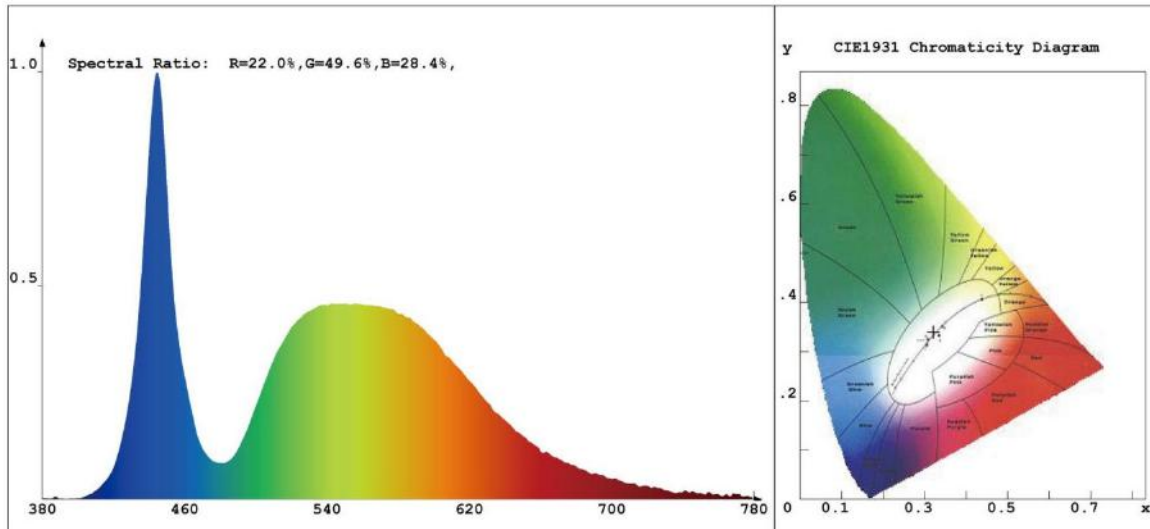
Temperature :25'C

Humidity :65%

Operator :admin

Test Date :2014-09-03 16:58:51

Remark:



**Chroma Parameters**

Chro.Coor.:x=0.3209 y=0.3398 u=0.1994 v=0.3168 duv=0.0047

CCT: 6033K Dominant Wave.:498.5nm Purity:3.9%

Flux RGB Ratio:R=12.5%,G=85.1%,B=2.4% Peak Wave:444.5nm Half Width:17.7nm

**Rendering Index:Ra= 71.6**

R1 =70 R2 =74 R3 =77 R4 =74 R5 =72 R6 =67 R7 =79 R8 =60  
R9 =0 R10=39 R11=74 R12=46 R13=70 R14=87 R15=64

**Photo Parameters**

Flux:5402.90lm Effi.:133.7lm/W Radiant:7201.7mW Ri:0.0mW/sr

**Ele. Parameters**

Voltage:U=220.400V

Current:I=0.1910A

Power:P=40.41W

Power Factor:PF=0.956

**Instrument state**

Instrument:Hopoo HP8000S

Integral Time: 3.883ms

VPeak: 8776

VDark: 1237

Scan Range: 380-780nm

Product ID: 201308416

## INSTALLATION

1. Remove old ballast or disconnect from existing lamp holder.  
Remove and dispose of ballast in correct manner.  
Shown as Figure 1. (North America 100-277 VAC)

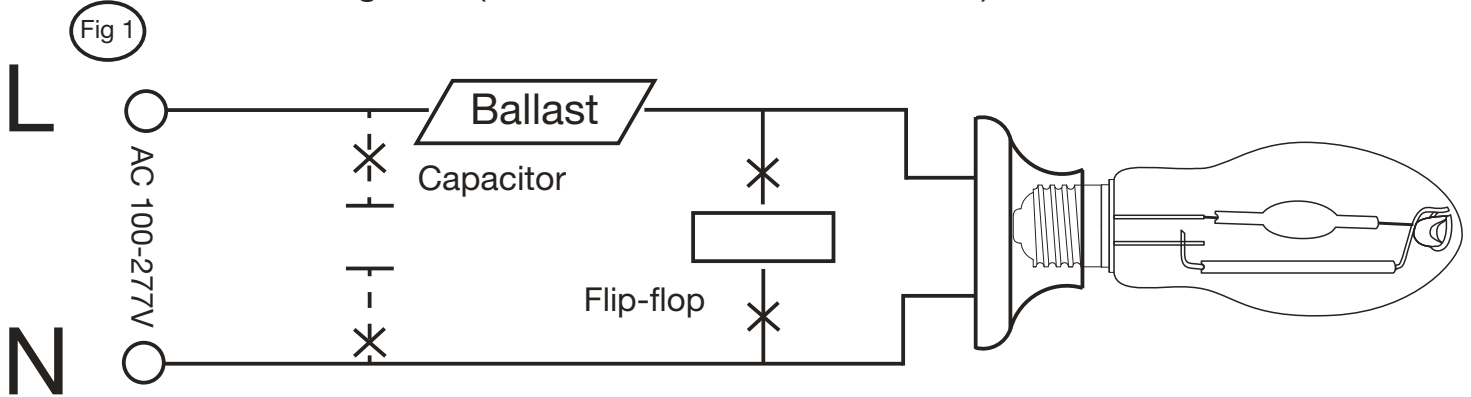


Fig 2

2. Reconnect directly to the existing lamp holder. Shown as Figure 2  
(North America 100-277VAC)

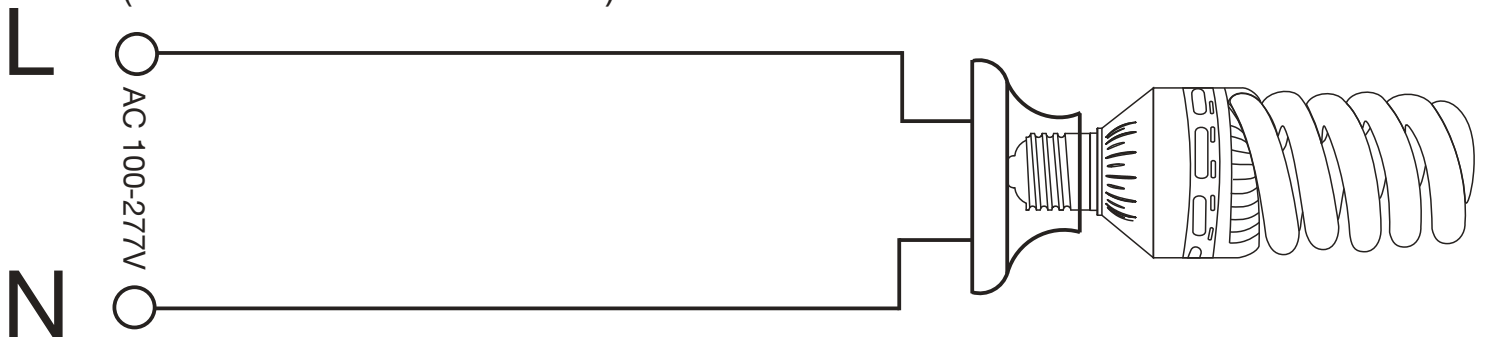


Fig 3

3. Install New LED Replacement lamp. Shown as Figure 3. Please make sure the old fitting is correctly earth. (North America 100-277VAC)

