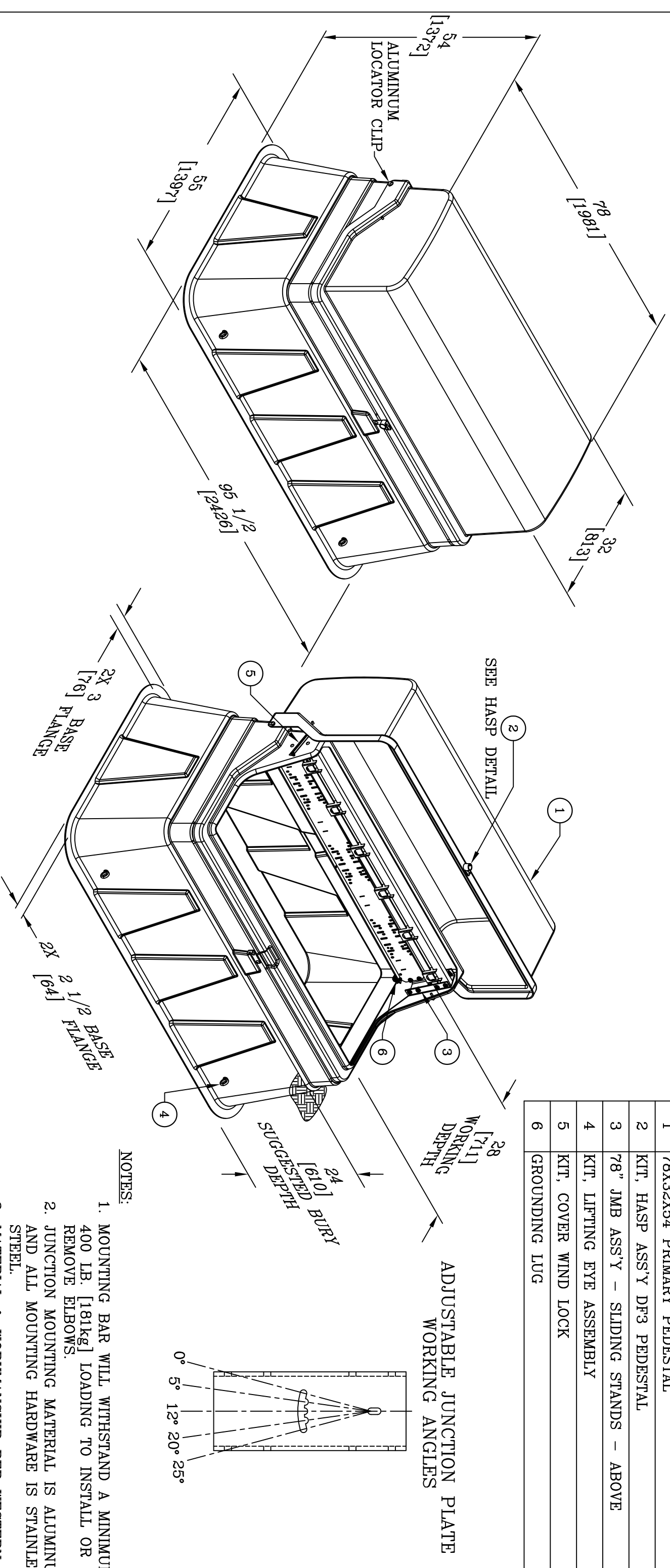


ITEM#	DESCRIPTION	QTY.
1	78X32X54 PRIMARY PEDESTAL	1
2	KIT, HASP ASS'Y DF3 PEDESTAL	1
3	78" JMB ASS'Y - SLIDING STANDS - ABOVE	1
4	KIT, LIFTING EYE ASSEMBLY	4
5	KIT, COVER WIND LOCK	2
6	GROUNDING LUG	1



**NOTES:**

1. MOUNTING BAR WILL WITHSTAND A MINIMUM 400 LB. [181kg] LOADING TO INSTALL OR REMOVE ELBOWS.
2. JUNCTION MOUNTING MATERIAL IS ALUMINUM AND ALL MOUNTING HARDWARE IS STAINLESS STEEL.
3. MATERIAL & WORKMANSHIP PER WESTERN POWER PRODUCTS SPECIFICATION DATED JANUARY, 1990.
4. MATERIAL THICKNESS IS 1/4 [6].
5. A SMOOTH 12 [305] X 12 [305] SURFACE ON THE INSIDE OF THE COVER WILL BE PROVIDED FOR THE PLACEMENT LABELS.

DIMENSIONS ARE IN INCHES OR MILLIMETERS IN BRACKETS UNLESS OTHERWISE NOTED.

BY	DATE	WEIGHT	LOC
RG	1/23/12	311#	LC
DRN		141kg	S
CHK	2/13/12	SCALE	
ENG	2/13/12	MTS	
APR	2/13/12	SIZE	
APR	2/13/12	B	
PROJECT NUMBER 105336		DRAWING NUMBER P3783254MDA	
SHEET 1 OF 1		DRAWING NUMBER P3783254MDA	



3621 INDUSTRIAL PARK DR  
LENOIR CITY, TN 37771  
800-346-3062  
www.quazite.com

DRAWING DESCRIPTION  
HUBBELL® PRIMARY PEDESTAL  
78X32X54 MUNSELL GREEN  
SLIDING STANDS - ABOVE

**DF3 HASP DETAIL**

