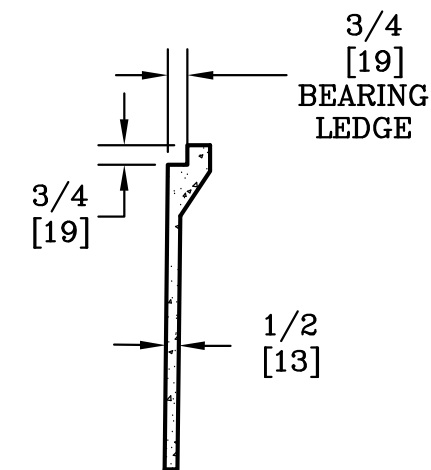
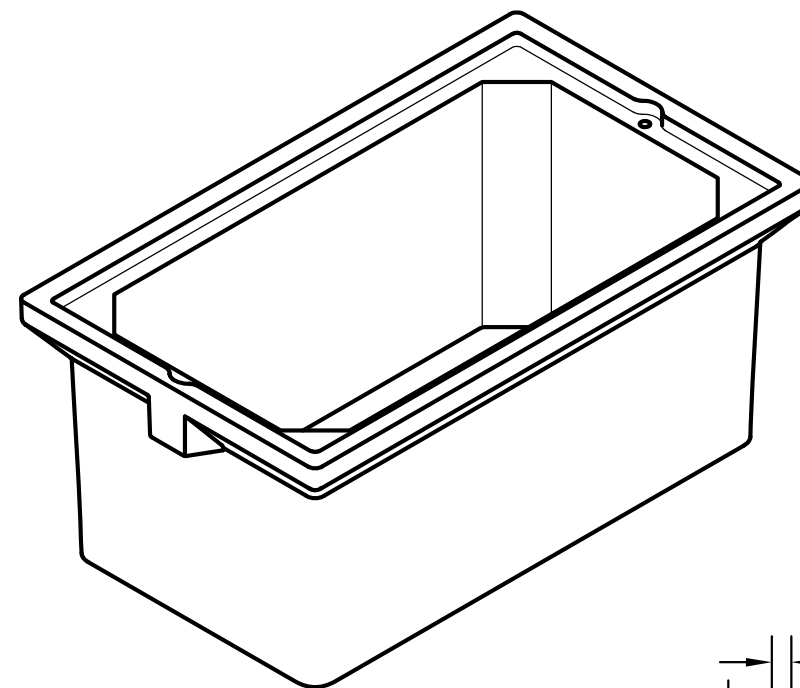
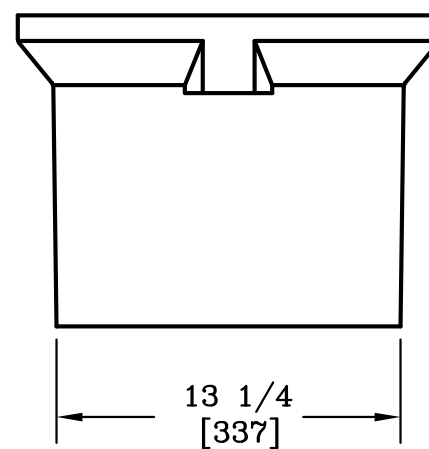
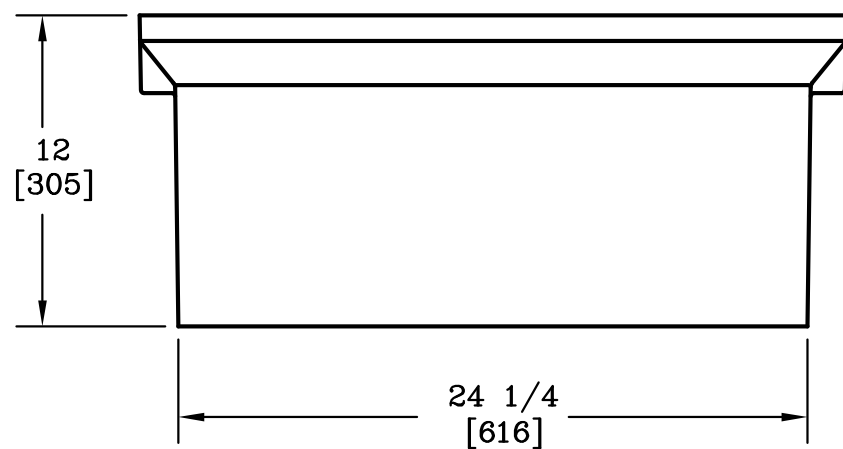


3/8-7 SELF ALIGNING,
REPLACEABLE S.S. EZ-NUT
2 PLACES




SECTION A-A



NOTE:

1. DIMENSIONS IN BRACKETS ARE IN MILLIMETERS UNLESS NOTED OTHERWISE.



| DIMENSIONS ARE IN INCHES OR MILLIMETERS IN BRACKETS UNLESS OTHERWISE NOTED. | | | | | | |
|---|-------|--------|-------------|---|-----|----------|
| DRN | BY | DATE | WEIGHT |  3621 INDUSTRIAL PARK DR LENOIR CITY, TN 37771 800-346-3062 www.quazite.com | LOC | |
| | | | 51# 23kg | | | |
| CHK | M&F | 5/2/90 | SCALE | DRAWING DESCRIPTION QUAZITE® BOX | S | |
| ENG | JJD | 5/8/90 | 1 1/2"=1' | | REV | |
| APR | F.M.P | 5/8/90 | SIZE | | | F |
| APR | | | B | | | 3/12 |
| PROJECT NUMBER | | | | DRAWING NUMBER | | |
| 90476 | | | | PC1324BA12 | | |
| SHEET 1 OF 1 | | | | | | |