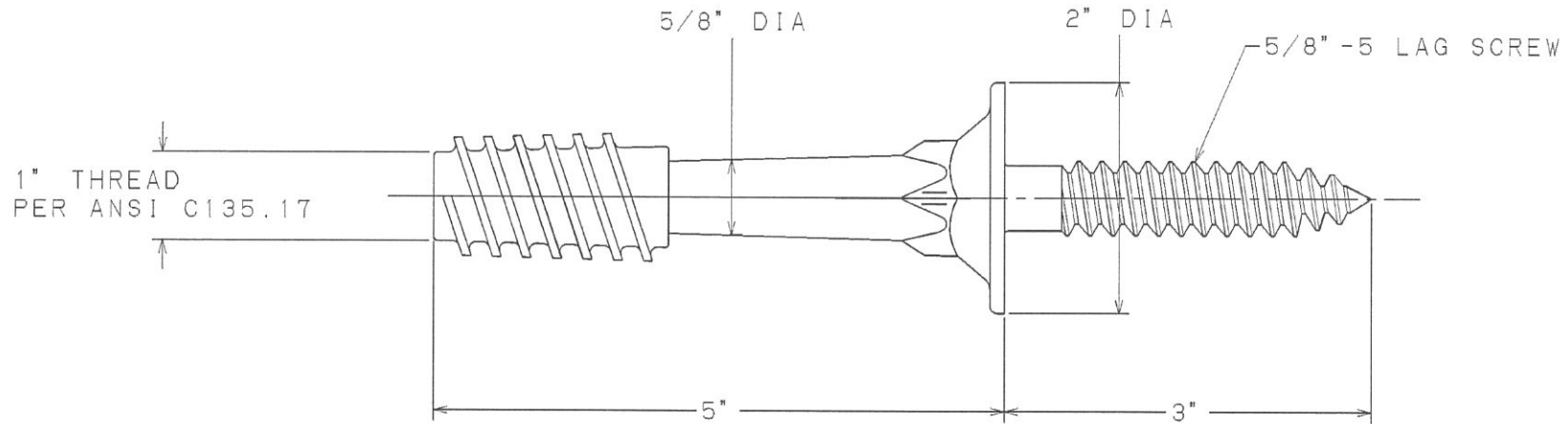


==NOTE==

1. MAT'L: FORGED STEEL GALVANIZED PER ASTM A153-LATEST REVISION.



LATEST EC NO:		REV.	DATE	CHANGED BY	RESP ENGINEER
EC97040403		-	-----	---	HOYT
				DO NOT SCALE THIS DWG	THIRD ANGLE PROJECTION ISO DUAL DIMENSIONS IN=INCH, MM=MILLIMETER
DRN BY:	DATE	TITLE:		SIZE	
MARTIN	04-07-87	5/8" LAG SCREW FORGED STEEL PIN		B	
				DWG NO: SA888	

CONFIDENTIAL: THIS DRAWING AND ITS CONTENTS ARE CONFIDENTIAL AND THE EXCLUSIVE PROPERTY OF HUBBELL / A. B. CHANCE COMPANY. NO PUBLICATION, DISTRIBUTION OR COPIES MAY BE MADE WITHOUT WRITTEN CONSENT BY HUBBELL / A. B. CHANCE COMPANY. © 2000 HUBBELL/A. B. CHANCE. UNPUBLISHED - ALL RIGHTS RESERVED UNDER THE COPYRIGHT LAWS