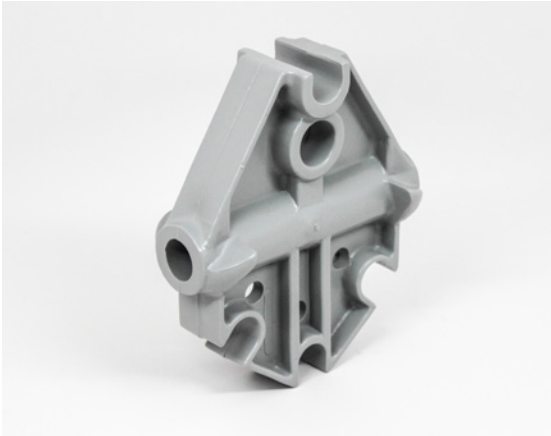


# Secondary Cable Spreader



## S604GR

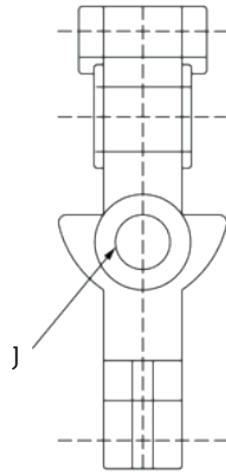
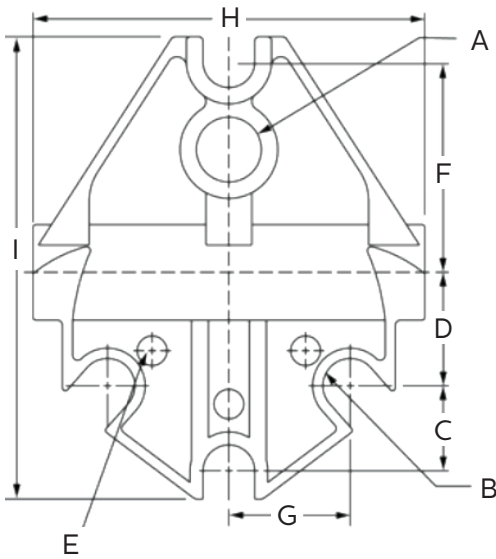
The S604GR is a secondary cable spreader that is used to separate triplex phase conductors and bare wire neutral at locations where customer service drops are to be connected. The S604GR is molded using a proprietary blend of UV- and track-resistant, gray thermoplastic polymers.

## Benefits

- Compact size: lightweight, safe, and easy to use
- Trouble-free: won't chip, crack, or break
- Long life: UV inhibitors prevent solar degradation
- Pole mountable

## Application

The S604GR Spreader is designed to accommodate up to three conductors and a neutral at service drop connections between poles. The S604GR is also suitable for fixed installations to the pole using a through-bolt (not included).



| S604GR             |   |                             |
|--------------------|---|-----------------------------|
| Dimension (inches) | A | 13/16                       |
|                    | B | 11/16                       |
|                    | C | 11/16                       |
|                    | D | 1 7/16                      |
|                    | E | 3/8                         |
|                    | F | 2 11/16                     |
|                    | G | 1 1/2                       |
|                    | H | 4 15/16                     |
|                    | I | 5 27/32                     |
|                    | J | 11/16                       |
| Weight (lbs.)      |   | 0.40                        |
| Material           |   | Gray Thermoplastic Polymers |