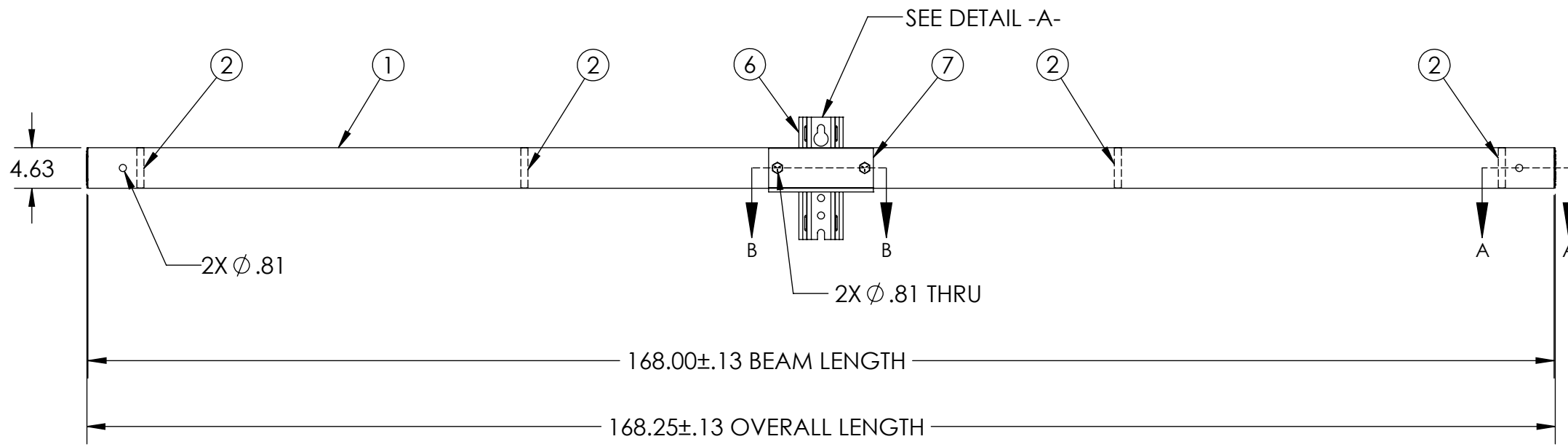
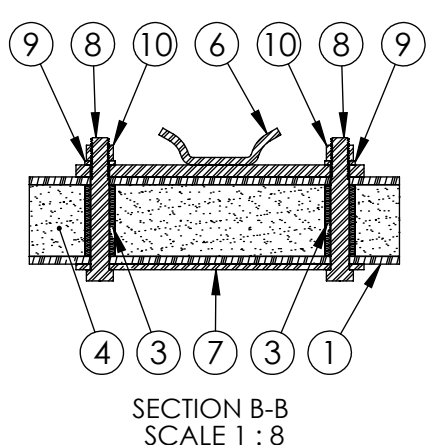
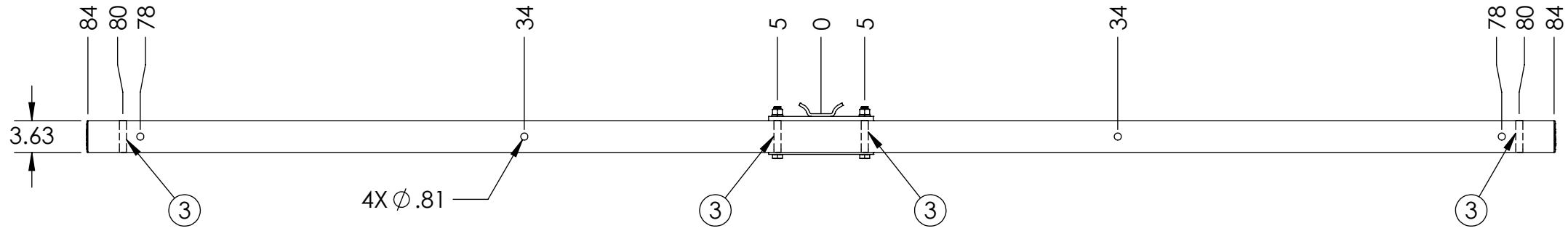
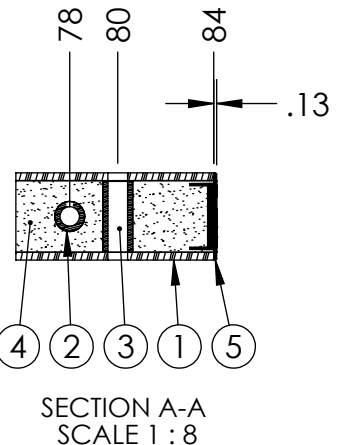
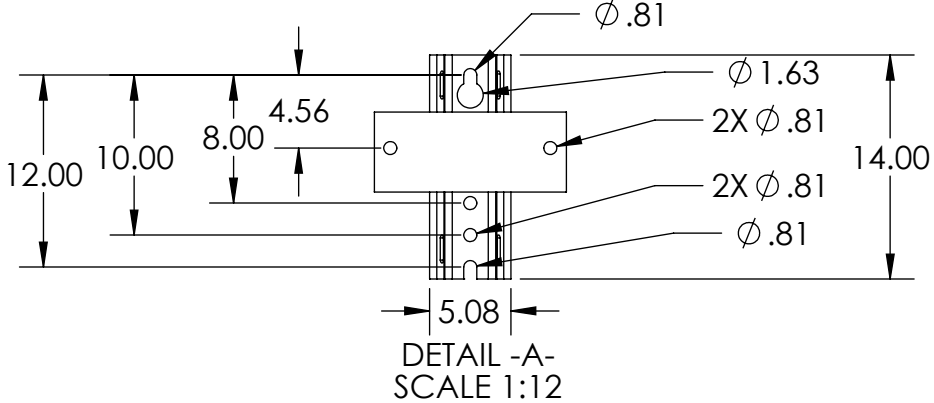


ITEM NO.	PART NUMBER	DESCRIPTION	DESCRIPTION 2	QTY
1	FB-168-3000-2	BEAM, PULTRUDED STOCK	SERIES 3000 x 168 in, GRAY	1
2	TG0813-0041	BUSHING	13/16 in x 3-15/16 in	4
3	TG0813-0042	BUSHING	13/16 in x 3 in	4
4	FOAM	-	-	1
5	EC30-0002-2	END CAP	SERIES 3000, GRAY	2
6	TM-0047	MOUNT ASSEMBLY, TANGENT	HDLH	1
7	PL-0001	PLATE, FRONT		1
8	HB0750-0001	HEX BOLT	3/4 in - 10 x 5-1/2 in	2
9	LW0750-0001	LOCK WASHER	3/4 in	2
10	HN0750-0001	HEX NUT	3/4 in - 10	2



REVISIONS				
ECO	REV.	DESCRIPTION	DATE	INITIALS
	1.0	REDRAW COMPLETE PER TB3000168SPX SPEC	2012-01-12	EFH
	2.0	ADD MISSING DIMENSION ±78 IN TOP VIEW	2012-01-15	EFH
	2.1	REDRAWN IN SOLIDWORKS	2013-03-04	RAF
1328	2.2	UPDATE DRAWING FORMAT	2016-01-08	RAF
3495	2.3	ADD LOAD RATINGS	2017-07-27	AJH



- NOTES:
- CENTER OF MOUNT HOLE(S) TO HOLES TOLERANCE ±0.06
  - CALCULATED AVERAGE ULTIMATE VERTICAL LOAD = 6,750 LBS PER WIRE, 2 WIRES AT ±78  
= 5,000 LBS PER WIRE, 4 WIRES AT ±34 & ±78
  - CALCULATED AVERAGE ULTIMATE LONGITUDINAL LOAD = 4,000 LBS PER WIRE, 2 WIRES AT ±78  
= 2,750 LBS PER WIRE, 4 WIRES AT ±34 & ±78
  - CALCULATED AVERAGE ULTIMATE TRANSVERSE LOAD = 12,000 LBS PER SIDE
  - RECOMMENDED MAXIMUM WORKING LOAD OF 50% OF AVERAGE ULTIMATE STRENGTH



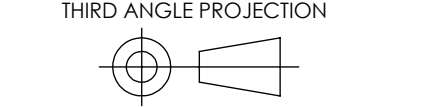
**---UNLESS OTHERWISE SPECIFIED---**  
 DIMENSIONS ARE IN INCHES  
 INTERPRET DIM AND TOL PER ASME Y14.5-2009  
 ANGULAR: MACH ±2°  
 BEND ±2°  
 ONE PLACE DECIMAL ±0.1  
 TWO PLACE DECIMAL ±0.02

STATE:	RELEASED	2017-07-27
DRAWN:	RAF	2013-03-04
CHECKED:	DMF	2017-07-27
APPROVED:	DMF	2017-07-27
REPLACES:	TB3000-168-SPX	



1421 SECOND AVE NW  
 STEWARTVILLE, MN 55976  
 (800) 533-1680  
 www.geotekinc.com

**PROPRIETARY AND CONFIDENTIAL**  
 THE INFORMATION CONTAINED IN THIS DRAWING IS THE SOLE PROPERTY OF GEOTEK. ANY REPRODUCTION IN PART OR AS A WHOLE WITHOUT THE WRITTEN PERMISSION OF GEOTEK IS PROHIBITED.



DESCRIPTION:  
**TANGENT ASSEMBLY, SERIES 3000**  
**168 in, PUPPI SPX**



CUSTOMER SIGNATURE: \_\_\_\_\_  
 DATE: \_\_\_\_\_

SIZE: DWG. NO.	BEAM COLOR:	REV:
<b>B TB3000168SPX2</b>	<b>GRAY</b>	<b>2.3</b>
SCALE: 1:16	WEIGHT: 82 LBS	SHEET 1 OF 1