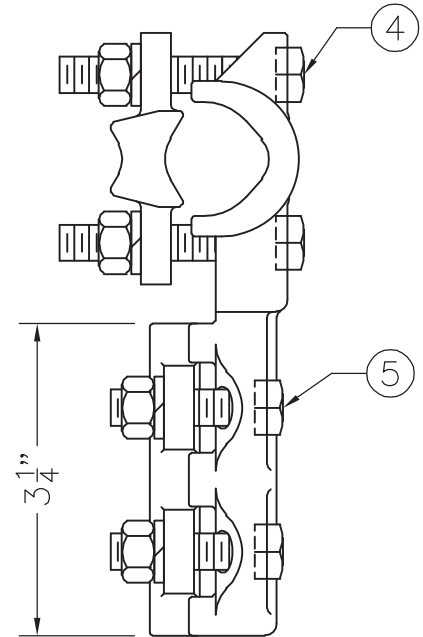
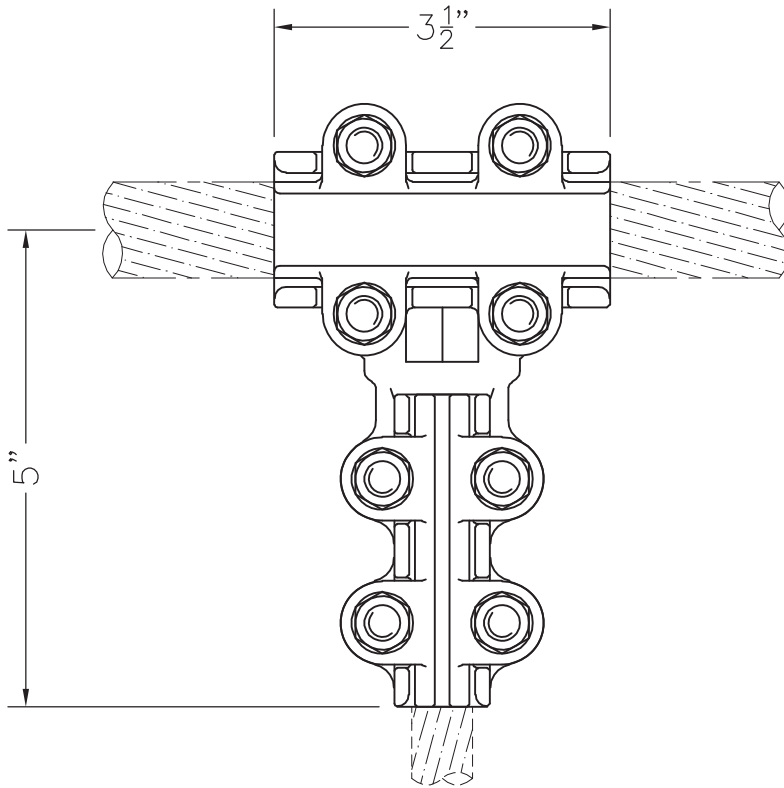


Catalog No.

TCRCT-3414

CONDUCTOR: RUN: 4/0 - 1000 MCM
TAP: #4 - 300 MCM



- MATERIAL -

ITEM	PART NO.	QTY	DESCRIPTION	MATERIAL	REF. DWG
1	TCRCT-3414	1	TEE CONNECTOR BODY - CAST BRONZE	ELEC BRZ	BP-590
2	C-1034A	1	REVERSIBLE CAP - CAST ALUM BRONZE	ALUM BRZ	BP-2191
3	C-0314	1	REVERSIBLE CAP - CAST ALUM BRONZE	ALUM BRZ	BP-001
4		4	3/8"φ x 2-1/4" H.H. BOLT	SIL BRZ	
5		4	3/8"φ x 1-1/2" H.H. BOLT	SIL BRZ	
6		8	3/8"φ HEX NUT	SIL BRZ	
7		8	3/8"φ SPRINGLOCK WASHER	SIL BRZ	

Job no. _____

Item(s) no. _____

Qty. req'd _____ ✓

Ass'y Wt. 4.00 #

No.	By	Date	Revision

SEFCOR INC.
GRIFFIN, GEORGIA

GKS 9/11/74

TCRCT-3414