

|             |  |           |  |      |  |
|-------------|--|-----------|--|------|--|
| Project     |  | Catalog # |  | Type |  |
| Prepared by |  | Notes     |  | Date |  |



# Streetworks

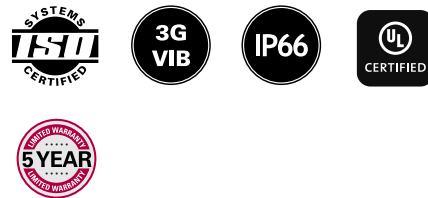
## UFLD-L Utility Flood

Floodlight Luminaire

### Product Features



### Product Certifications



### Interactive Menu

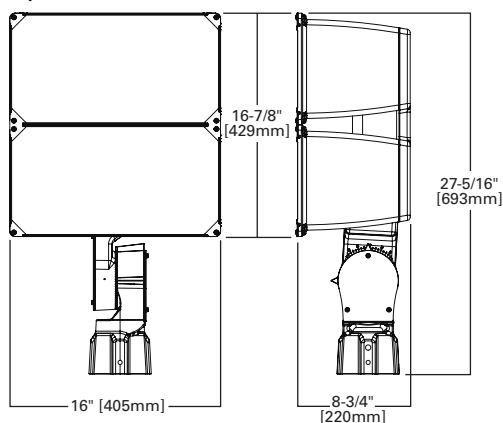
- Ordering Information page 2
- Product Specifications page 3
- Mounting Details page 3
- Energy and Performance Data page 4

### Quick Facts

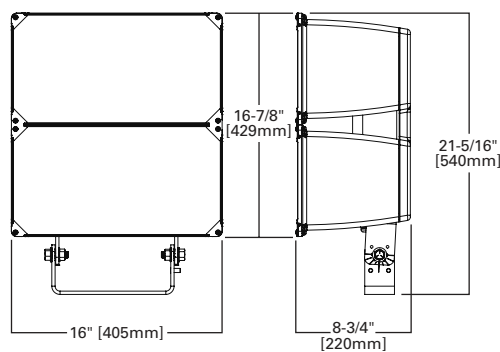
- Up to 163 lumens per watt
- Two optical distributions (Spot, Wide)
- 8 lumen packages ranging from 23,284 - 57,883 delivered lumens
- Offered in 2200K, 2700K, 3000K, 4000K, 5000K, 5700K CCTs

### Dimensional Details

Slipfitter Mount



Trunnion Mount



## Ordering Information

SAMPLE ORDER NUMBER: **UFLD-L-CA4-180-740-U-66-C-BK-10MSP-PR7**

| Product Family   | Configuration                | Wattage Bucket   | Color Temperature   | Voltage   | Distribution   | Mounting  | Color  |
|--|------------------------------|--|---|---|--|---|--|
| <b>UFLD-L</b> =Utility Flood Large<br><b>BAA-UFLD-L</b> =Utility Flood Large Buy American Act Compliant <sup>11</sup><br><b>TAA-UFLD-L</b> =Utility Flood Large Trade Agreements Act Compliant <sup>11</sup>   | <b>CA4</b> =COB Light Engine | <b>180</b> =180W<br><b>240</b> =240W<br><b>250</b> =250W<br><b>270</b> =270W<br><b>280</b> =280W<br><b>320</b> =320W<br><b>370</b> =370W<br><b>390</b> =390W | <b>740</b> =70CRI, 4000K<br><b>727</b> =70CRI, 2700K <sup>3</sup><br><b>722</b> =70CRI, 2200K <sup>3</sup><br><b>730</b> =70CRI, 3000K <sup>3</sup><br><b>750</b> =70CRI, 5000K <sup>3</sup><br><b>760</b> =70CRI, 5700K <sup>3</sup> | <b>U</b> =Universal (120-277V)<br><b>8</b> =480V <sup>1</sup><br><b>9</b> =347V | <b>66</b> =NEMA 6H x 6V Wide <sup>10</sup><br><b>33</b> =NEMA 3H x 3V Spot <sup>2</sup>  | <b>C</b> =Slipfitter, 2-3/8"-3" O.D. (SO cord through housing)<br><b>S</b> =Slipfitter, 2-3/8" - 3" O.D. (Leads through slipfitter)<br><b>T</b> =Trunnion<br><b>Y</b> =Yoke | <b>BK</b> =Black<br><b>BZ</b> =Bronze<br><b>AP</b> =Grey<br><b>WH</b> =White |
| Options (Add as Suffix)  |                              |  | Controls  |   | Accessories (Order Separately) <sup>12</sup>   |   |  |
| <b>10K</b> =Series 10kV UL 1449 Surge Protective Device<br><b>20K</b> =Series 20kV UL 1449 Surge Protective Device<br><b>20KI</b> =Series 20kV UL 1449 Surge Protective Device with light indicator<br><b>10MSP</b> =Parallel 10kV MOV Surge Protection Device<br><b>20MSP</b> =Parallel 20kV MOV Surge Protective Device<br><b>D10</b> =<10% Dimming<br><b>CXXXX</b> =Cord Type <sup>8</sup><br><b>FADC</b> =Field Adjustable Dimming Controller <sup>9</sup><br><b>Dxxxxx</b> =DOT Configuration - Contact Quotes Team<br><b>Uxxxxx</b> =Utility Configuration - Contact Quotes Team |                              |  | <b>PR</b> =NEMA 3-PIN Photocontrol Receptacle<br><b>PR7</b> =NEMA 7-PIN Twistlock Photocontrol Receptacle<br><b>PSC</b> =Photocontrol Shorting Cap<br><b>NPC</b> =NEMA Photocontrol - Multi-Tap                                       |   | <b>FA63</b> =3" O.D. Surface Mount Bracket <sup>4</sup><br><b>OA1223</b> =10kV/10kA UL 1449 Surge Protective Device Replacement<br><b>OA/RA1013</b> =Photocontrol Shorting Cap<br><b>OA/RA1014</b> =NEMA Photocontrol - 120V<br><b>OA/RA1016</b> =NEMA Photocontrol - Multi-Tap<br><b>OA/RA1027</b> =NEMA Photocontrol - 480V<br><b>OA/RA1201</b> =NEMA Photocontrol - 347V<br><b>RAB-XX</b> =Right Angle Pipe Bracket for Slipfitter<br><b>SAB-XX</b> =Steel Angle Bracket for Trunnion<br><b>TYS-XX</b> =Slipfitter Adapter for 2-3/8", 3" or 3-1/2" O.D. Tenon <sup>5</sup><br><b>TS2HW/NFFLD-XX</b> =Top and Side Visors <sup>6</sup><br><b>VSHW/NFFLD</b> =Vandal Shield <sup>9</sup><br><b>WGHW/NFFLD</b> =Wire Guard <sup>6</sup><br><b>LLPC</b> =Long-life Photocontrol <sup>7</sup><br><b>LLPC-FO</b> =Long-life Photocontrol (Fail-Off) <sup>7</sup> |   |  |

### NOTES:

1. Only for use with 480V Wye systems. Per NEC, not for use with ungrounded systems, impedance grounded systems or corner grounded systems (commonly known as Three Phase Three Wire Delta, Three Phase High Leg Delta and Three Phase Corner Grounded Delta systems)
2. Only available with 240W and 280W wattage buckets.
3. Extended lead times apply. Use dedicated IES files for 3000K, 5000K, and 5700K when performing layouts. These files are published on the UFLD Luminaire product page on the website.
4. Not available with tenon mount.
5. Not available with slipfitter mount.
6. Cannot combine TS2 (Top and Side Visor), VS (Vandal Shield), or WG (Wire Guard), limited to one external guard per fixture.
7. Sold as accessory. Not covered under luminaire warranty.
8. 3-conductor cord available in 12, 14, and 16 gauge with lengths of 5, 8, 10, 15, 20, and 25 feet. Specify cord gauge with the first 2 digits and cord length with the last 2 digits (ex: C1605 = 16-gauge, 5 feet length cord). Standard cord is 16-gauge with length of 3.5 ft if not specified.
9. Cannot be used with PR7 or other motion response control options.
10. Available in 180W, 250W, 270W, 320W, 370W, and 390W wattage buckets.
11. Only product configurations with these designated prefixes are built to be compliant with the Buy American Act of 1933 (BAA) or Trade Agreements Act of 1979 (TAA), respectively. Please refer to [DOMESTIC.PREFERENCES](#) website for more information. Components shipped separately may be separately analyzed under domestic preference requirements.
12. Accessories sold separately will be separately analyzed under domestic preference requirements. Consult factory for further information.

## Product Specifications

### Construction

- Heavy-duty, die cast aluminum housing, driver compartment and driver housing door.
- A separate driver compartment and external fins provide optimal thermal management that result in longer LED and driver life.
- The housing, driver compartment and optical chamber are IP66 rated.
- Access to the driver for maintenance is achieved with a removable driver door using pan head screws.
- A one-piece silicone gasket seals the door to the fixture housing. The fixture is 3G vibration rated (ANSI C136.31) to ensure durability in area and site lighting applications.

### Optics

- The LED chambers incorporate a vacuum metalized reflector that provides high-efficiency illumination.
- Optics are precisely designed to shape the NEMA type 6H x 6V wide distribution and 3H x 3V spot distribution, maximizing efficiency and application spacing.
- Clear glass tempered lens with full circumference form-in-place silicone gasket protects the optics from damage.
- CCTs available in 2200K, 2700K, 3000K, 4000K, 5000K or 5700K minimum 70 CRI.

### Electrical

- LED drivers are mounted to the removable die-cast aluminum doors for optimal heat sinking and ease

- of maintenance. 120-277V 50/60Hz, 347V 60Hz or 480V 60Hz operation.
- Integral 6kV surge is standard. 10kV/10kA common and differential-mode surge protection available as an option. 0-10V dimming driver is standard to accommodate controls capability such as dimming and occupancy.
- NEMA 3-PIN twistlock photocontrol receptacle and NEMA 7-PIN twistlock photocontrol receptacles are available as options.
- Suitable for ambient temperatures from -40°C to 40°C. 87% lumen maintenance greater than 60,000 hours per IESNA TM-21 at 25°C.
- Luminaire available with the field adjustable dimming controller (FADC) to manually adjust wattage and reduce the total lumen output and light levels. Comes pre-set to the highest position at the lumen output selected.

### Accessories

- Heavy-duty steel top and side visors control glare and spill light. 1/8" thick UV stabilized vandal guard shields glass lens from impact when mounted at low levels.
- Easy to install wire guard features a heavy-gauge welded construction with corrosion resistant polyester powder coat finish to protect glass from projected objects.

### Mounting

- Mounting options include an integral die-cast aluminum slipfitter that is preset to a tilt of 45°.

- The knuckle base is supplied with a tooth lock adjustment that can be adjusted in 5° increments. Visual 15° adjustment indicators on the knuckle allow for 180° field rotation of the floodlight assembly.
- The slipfitter fits standard 2-3/8"-3" O.D. tenon.
- The trunnion mounting includes a 3/16" polyester powder coated galvanized steel trunnion with a 14/3 STW-A cord. The trunnion mount uses an interlocking slide adjustment that is locked in place with a set screw.

### Shipping Data

- Approximate Net Weight: 48 lbs. (22kgs.), 55 lbs. (25 kgs.) with Yoke
- EPA: 2.5 Sq. Ft.

### Finish

- Housing and cast parts finished in five-stage super TGIC polyester powder coat paint, 2.5 mil nominal thickness for superior protection against fade and wear.

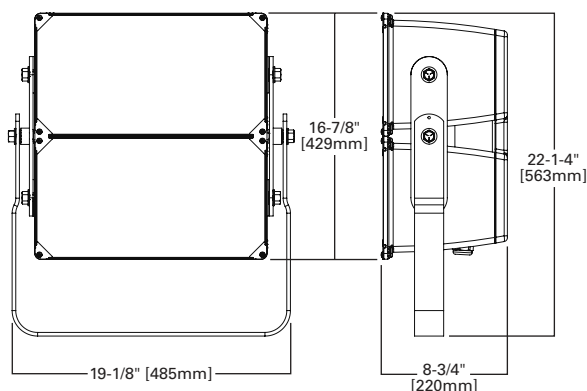
### Warranty

- Five-year limited warranty. Consult website for details. [www.cooperlighting.com/legal](http://www.cooperlighting.com/legal)

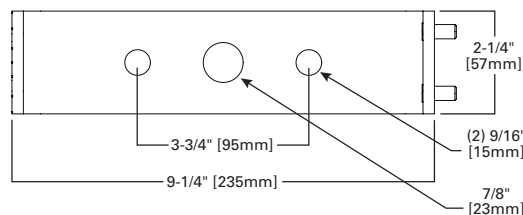
## Mounting Details

### Dimensions

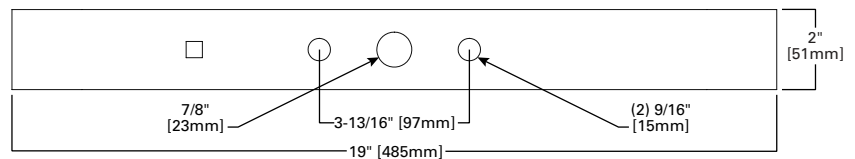
#### Yoke Mount



#### Trunnion Mount Drill Pattern

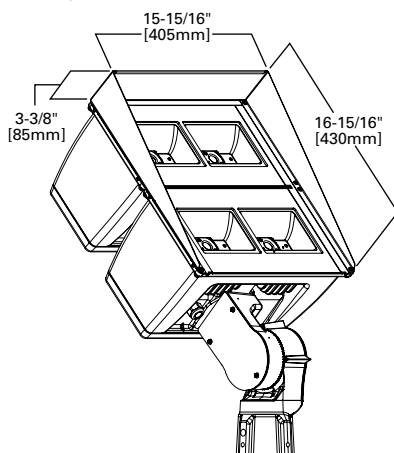


#### Yoke Mount Drill Pattern

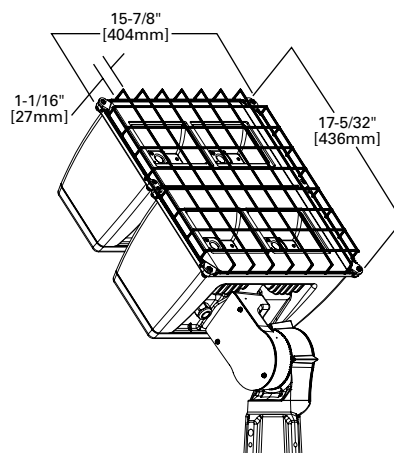


### Accessories

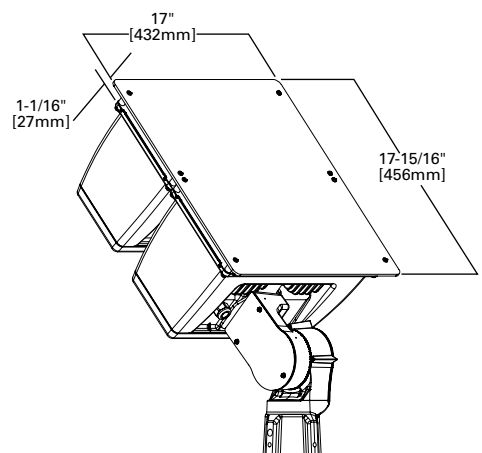
#### Top and Side Visors



#### Wire Guard



#### Vandal Shield



## Energy and Performance Data

| Distribution    | 6x6    |        |        |        |        |        |
|-----------------|--------|--------|--------|--------|--------|--------|
| ANSI Wattage    | 180    | 250    | 270    | 320    | 370    | 390    |
| Wattage         | 178    | 251    | 265    | 322    | 366    | 388    |
| 2200K           | 23,284 | 31,443 | 32,848 | 38,143 | 41,608 | 46,325 |
| Lumens Per Watt | 131    | 125    | 124    | 118    | 114    | 120    |
| 2700K           | 24,193 | 32,669 | 34,130 | 39,632 | 43,232 | 48,133 |
| Lumens Per Watt | 136    | 130    | 129    | 123    | 118    | 124    |
| 3000K           | 28,053 | 37,881 | 39,575 | 45,955 | 50,129 | 55,812 |
| Lumens Per Watt | 158    | 151    | 149    | 143    | 137    | 144    |
| 4000K           | 28,570 | 38,580 | 40,305 | 46,802 | 51,053 | 56,841 |
| Lumens Per Watt | 161    | 154    | 152    | 145    | 140    | 147    |
| 5000K           | 29,094 | 39,287 | 41,044 | 47,660 | 51,989 | 57,883 |
| Lumens Per Watt | 163    | 156    | 155    | 148    | 142    | 149    |
| 5700K           | 28,477 | 38,455 | 40,174 | 46,650 | 50,887 | 56,656 |
| Lumens Per Watt | 160    | 153    | 151    | 145    | 139    | 146    |

| Distribution    | 3x3    |        |
|-----------------|--------|--------|
| ANSI Wattage    | 240    | 280    |
| Wattage         | 242    | 280    |
| 2200K           | 25,098 | 28,333 |
| Lumens Per Watt | 104    | 101    |
| 2700K           | 26,077 | 29,439 |
| Lumens Per Watt | 108    | 105    |
| 3000K           | 30,232 | 34,129 |
| Lumens Per Watt | 125    | 122    |
| 4000K           | 30,795 | 34,765 |
| Lumens Per Watt | 127    | 124    |
| 5000K           | 31,344 | 35,384 |
| Lumens Per Watt | 130    | 126    |
| 5700K           | 30,695 | 34,652 |
| Lumens Per Watt | 127    | 124    |

## Current Draw

| Voltage (V) | Model Series |             |             |             |             |             |             |             |
|-------------|--------------|-------------|-------------|-------------|-------------|-------------|-------------|-------------|
|             | 6x6          |             |             |             |             |             | 3x3         |             |
|             | 6 x 6        | 6 x 6       | 6 x 6       | 6 x 6       | 6 x 6       | 6x6         | 3x3         | 3x3         |
|             | 180W         | 250W        | 270W        | 320W        | 370W        | 390W        | 240W        | 280W        |
|             | Current (A)  | Current (A) | Current (A) | Current (A) | Current (A) | Current (A) | Current (A) | Current (A) |
| 120V        | 1.49         | 2.10        | 2.22        | 2.69        | 3.06        | 3.24        | 2.03        | 2.34        |
| 277V        | 0.67         | 0.93        | 0.98        | 1.17        | 1.33        | 1.4         | 0.89        | 1.03        |
| 347V        | 0.53         | 0.74        | 0.78        | 0.95        | 1.09        | 1.14        | 0.72        | 0.84        |
| 480V        | 0.39         | 0.54        | 0.57        | 0.69        | 0.78        | 0.82        | 0.53        | 0.61        |

## Lumen Maintenance

| Ambient Temperature                    | TM-21 Lumen Maintenance (60,000 Hours) | Theoretical L70 (Hours) |
|--|--|-------------------------|
| <b>All Distributions (180W - 370W)</b> |  |                         |
| 40°C                                   | 86.82%                                 | 151,000                 |
| <b>All Distributions (390W)</b>        |  |                         |
| 40°C                                   | 85.51%                                 | 140,000                 |

## Lumen Multiplier

| Ambient Temperature | Lumen Multiplier |
|---------------------|------------------|
| 10°C                | 1.03             |
| 15°C                | 1.02             |
| 25°C                | 1.00             |
| 40°C                | 0.97             |

## FADC Settings

| FADC Position | Percent of Typical Lumen Output |
|---------------|---------------------------------|
| 1             | 25%                             |
| 2             | 48%                             |
| 3             | 56%                             |
| 4             | 65%                             |
| 5             | 75%                             |
| 6             | 80%                             |
| 7             | 85%                             |
| 8             | 90%                             |
| 9             | 95%                             |
| 10            | 100%                            |

NOTES: +/-5% typical value