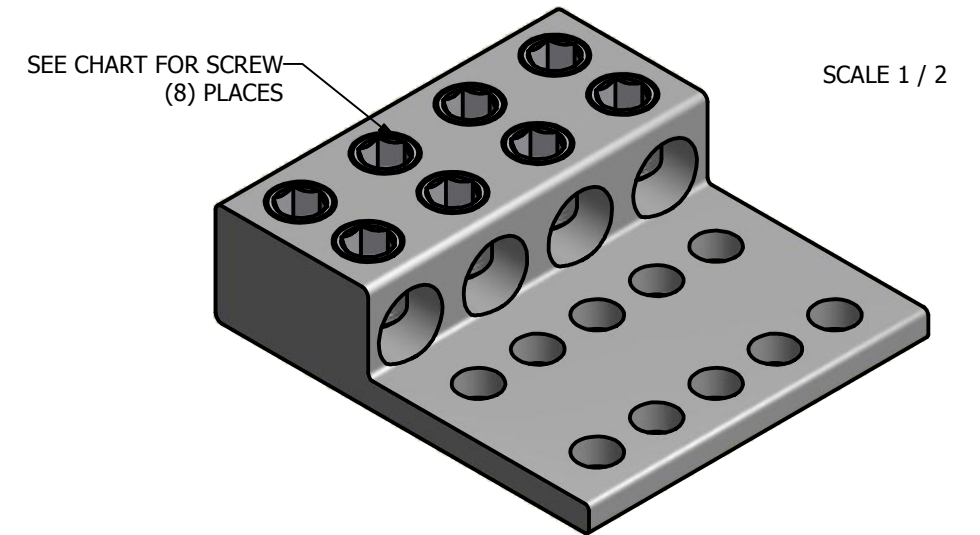
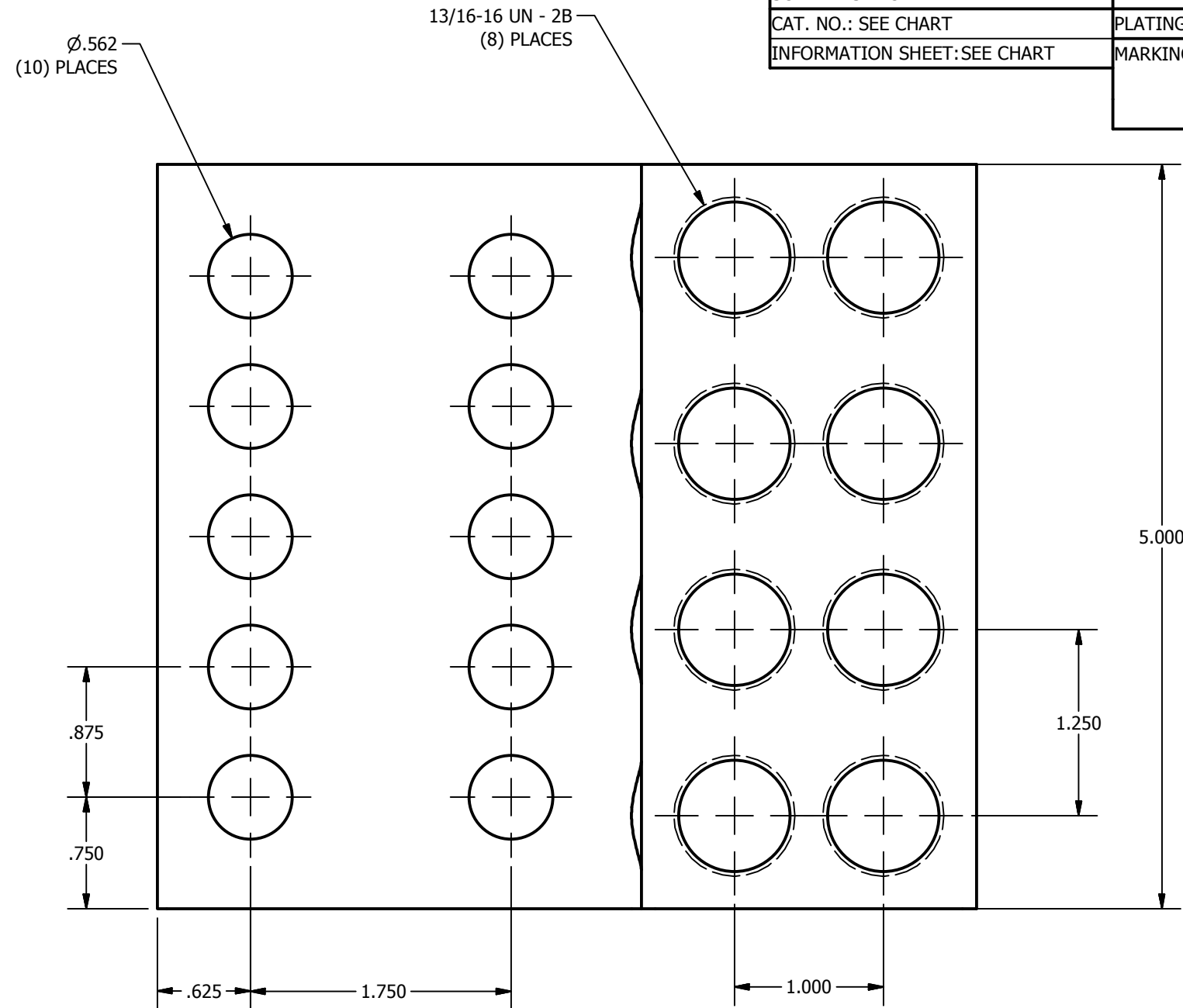
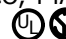


SCREW: SEE CHART	MATERIAL: ALUMINUM	REV: J
CAT. NO.: SEE CHART	PLATING: EL-TIN/WAX	DRAWN BY: CLH SCALE: 1:1
INFORMATION SHEET: SEE CHART	MARKING: 600kcmil-2, AL-CU	DATE: 5/14/2007 SIZE: B

DWG NO: **D3863**  
SHEET: 1 OF 1



CATALOG NO.	"B"	FORM	MARKING	PLATING	SCREW
USG2-500R64 USG2-600R64	.625	FORM 18	UTILCO, USG2-500R64, USG2-600R64, 600kcmil-2, AL-CU	WAX	E6131
T4A4-600N	.563	FORM 1	ILSCO, T4A4-600N, 600kcmil-2,  AL9CU	EL-TIN	E1027

