

SUSPENSION INSULATOR

CAT NO. 52-9

ANSI CLASS 52-9

DIMENSIONS:

LEAKAGE DISTANCE IN[mm] 6.75[171]

MECHANICAL VALUES:

M&E STRENGTH LB[kN] 10,000[44.5]
 IMPACT STRENGTH IN-LB[N-m] 45[5]
 TENSION PROOF LOAD LB[kN] 5,000[22.3]

ELECTRICAL VALUES:

60 HERTZ FLASHOVER-DRY kV 60
 60 HERTZ FLASHOVER-WET kV 30
 IMPULSE FLASHOVER-POS kV 100
 IMPULSE FLASHOVER-NEG kV 90
 LOW FREQUENCY PUNCTURE kV 80

RADIO INFLUENCE VOLTAGE DATA:

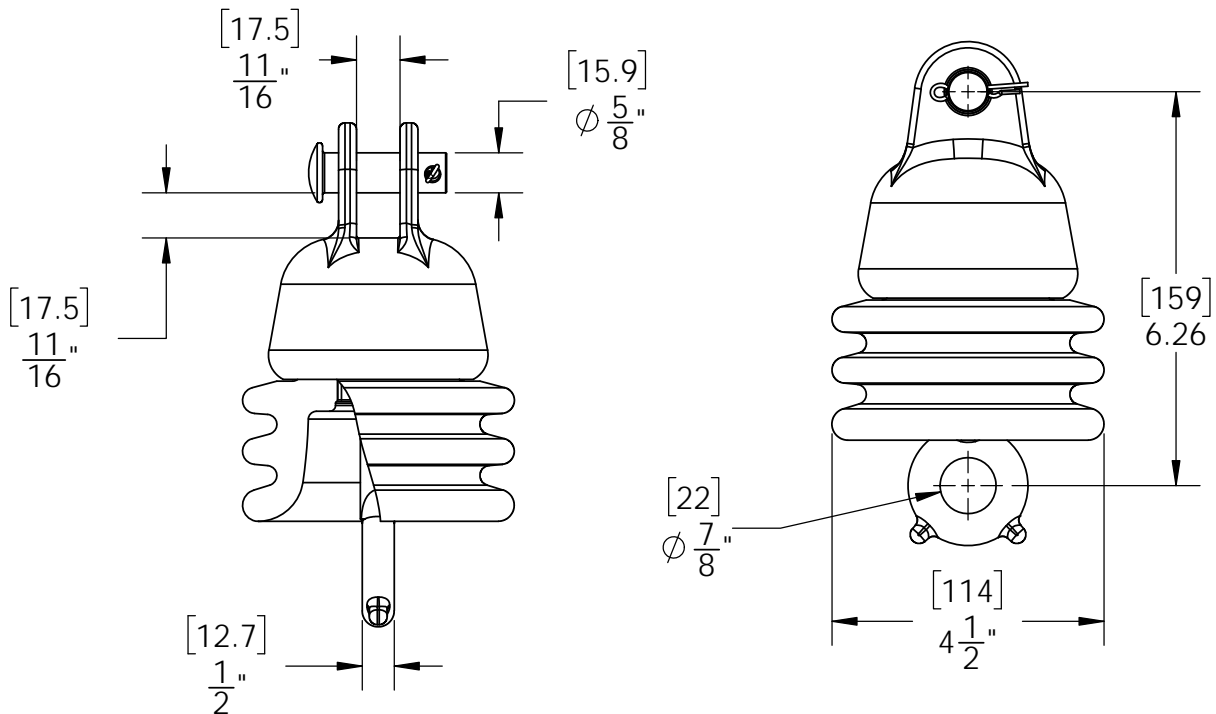
60 HERTZ TEST VOLTAGE TO GROUND kV 7.5
 MAXIMUM R.I.V. @ 1000 kHz μ V 50

PACKAGING INFORMATION:

NET WEIGHT, LB[kg] 5.5[2.5]
 PACKED WEIGHT LB[kg] 5.75[2.6]
 NO. IN STANDARD PACKAGE 12

- 1 ENG. MGR
- 2 ENG
- PURCH.
- 1 MKTG.
- PLT.MGR.
- COST
- PRD.
- INSP
- GLAZE
- BUSHING
- MAKING
- SHIP
- ASSEM
- MODEL
- MACH.
- 45
- TOOLING
- CER LAB
- 1 EL LAB
- 1 E.MEDIA

THIS DRAWING IS THE PROPERTY OF VICTOR INSULATORS, INC. AND CONTAINS PROPRIETARY AND CONFIDENTIAL INFORMATION WHICH MUST NOT BE DUPLICATED, USED, OR DISCLOSED OTHER THAN AS EXPRESSLY AUTHORIZED BY VICTOR INSULATORS, INC.



APPROVED
 By A. E. Schwalm at 6:41 pm, Nov 11, 2016



Victor Insulators, Inc.
 280 Maple Avenue
 Victor, New York 14564
 Telephone: (585)924-2127
 www.victorinsulators.com

VI 52-9

11/11/16

TM AF