

DRAWING NO.
SE211937

CATALOG NUMBER	STRANDED COPPER CONDUCTOR ACCOMMODATED			BOLT SIZE	METRIC BOLT SIZE	DIMENSIONS								
	CODE (AWG)	NAVY	METRIC SIZE (CLASS 2)			B	C	E	K DIA	L	N	O.D.	T REF.	Z MIN.
YAZ6C2N	#6 AWG	---	---	1/2	M12	1.12 [28]	.83 [21]	1.75 [44]	.56 [14]	4.40 [112]	.62 [16]	.29 [7]	.12 [3]	.64 [16]
YAZ5C2N	#5 AWG	30	16mm ² STR [5.3]	1/2	M12	1.12 [28]	↑	↑	↑	4.43 [113]	↑	.30 [8]	↑	↑
YAZ4C2N	#4 AWG	40	---	1/2	M12	1.12 [28]	↑	↑	↑	4.45 [113]	↑	.34 [9]	↑	↑
YAZ3C2N	#3 AWG #2 SOL	50	25mm ² STR [6.6]	1/2	M12	1.25 [32]	↓	↓	↓	4.62 [117]	↓	.38 [10]	↓	↓
YAZ2C2N	#2 AWG	60	---	1/2	M12	1.25 [32]	.83 [21]	1.75 [44]	.56 [14]	4.64 [118]	.62 [16]	.42 [11]	.12 [3]	.64 [16]

REV	DATE	DESCRIPTION	ECO	BY	C'H'K.
B	8/21/2008 12:00:00 AM	REDRAW IN PROG	16591	BT	BSK

CONNECTOR SIZE	TOLERANCES						
	B	C	E	K DIA.	L	N	O.D.
-6C THRU -25	±.06	+ .04 - .02	±.02	±.02	±.09	±.03	±.01
-26 THRU -34	±.08	+ .04 - .06	±.02	±.02	±.12	±.03	±.01
-35 AND UP	±.09	±.06	±.02	±.02	±.15	±.06	±.01

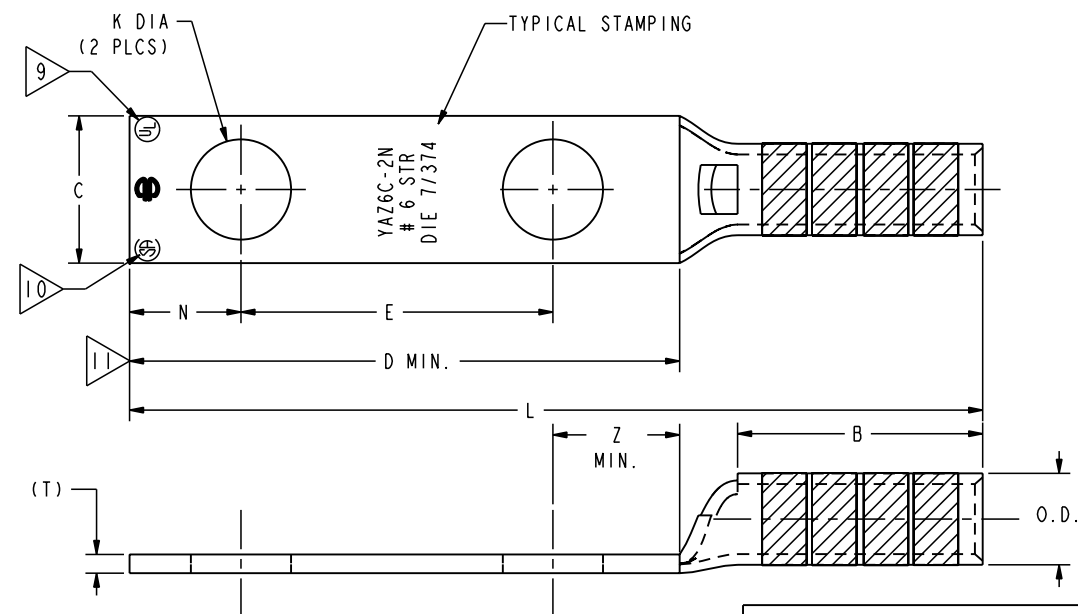
TOLERANCE BLOCK

INSTALLATION TOOLING (# CRIMPS)

CATALOG NO.	COLOR CODE	DIE INFORMATION		MECHANICAL RACHET				HYDRAULIC					DIELESS (# CRIMPS)	WIRE STRIP LENGTH	
		DIE INDEX	TYPE	Y2MR	OUR840	MD6 MD7	MD6--R2 BAT500	MD7-34R	Y34A Y34B Y34BH	Y35, Y39 Y750, BAT35 BAT750	Y46	Y45			Y48B
YAZ6C2N YAZ5C2N	BLUE	7 374	BLUE DIE SET NEST INDENTOR	BLUE(2)	X5CRT(2)	W5CRT(2) W5CVT(2)	W5CRT(2) W5CVT(2)	W5CRT(2) W5CVT(2)	---	U5CRT(2) U8CABT(2)	U5CRT(2) U8CABT(2)	U5CRT(2) U8CABT(2)	---	---	1-3/16"
YAZ4C2N	GRAY	8 346	GRAY DIE SET NEST INDENTOR	GRAY(4)	X4CRT(2)	W4CRT(2) W4CVT(2)	W4CRT(2) W4CVT(2)	W4CRT(2) W4CVT(2)	---	U4CRT(2) U6CABT(2)	U4CRT(2) U6CABT(2)	U4CRT(2) U6CABT(2)	---	---	MECHANICAL: MY29-3(2) MY29-11(2) 1-3/16"
YAZ3C2N	WHITE	9	WHITE DIE SET NEST INDENTOR	---	---	---	---	---	---	U3CRT(2)	U3CRT(2)	U3CRT(2)	---	---	HYDRAULIC: Y644M(1) BAT644M(1) 1-5/16"
YAZ2C2N	BROWN	10	BROWN DIE SET NEST INDENTOR	BROWN(4)	X2CRT(2)	W2CRT(2) W2CVT(2)	W2CRT(2) W2CVT(2)	W2CRT(2) W2CVT(2)	---	U2CRT(2)	U2CRT(2)	U2CRT(2)	---	---	1-5/16"

NOTES:

- MATERIAL: COPPER TUBING.
- FINISH: TIN PLATED.
- CATALOG # PT6515 ADAPTOR IS REQUIRED TO USE "U" DIES IN Y45 SERIES TOOLS.
- CATALOG # PUADP-1 ADAPTOR IS REQUIRED TO USE "U" DIES IN Y46 SERIES TOOLS.
- Y35P3 INDENTOR ADAPTOR REQUIRED FOR Y34PR INDENTOR.
- PERMANENT DIE IN TOOLING.
- DIMENSIONS IN BRACKETS [] ARE IN MILLIMETERS ROUNDED OFF TO THE NEAREST MILLIMETER, UNLESS OTHERWISE NOTED, AND ARE FOR REFERENCE ONLY.
- FOR USE BY CUSTOMERS THAT HAVE THIS HYPRESS™. NO NEW Y34A HYPRESS™ TOOLS ARE BEING PROCESSED. Y34A USES A--D TYPE NEST DIES.
- CONNECTORS ARE UL LISTED; UNDRILLED VERSIONS ARE NOT UL LISTED.
- CONNECTORS ARE CSA CERTIFIED; UNDRILLED VERSIONS ARE NOT CSA CERTIFIED.
- FOR UNDRILLED VERSIONS ADD SUFFIX "--U" TO END OF CATALOG NUMBER. FOR UNDRILLED VERSIONS, USE D MIN. = N MAX. + E MAX. + Z MIN.
- "X", "W-RT", "W-VT", "U", & "L" DIE SETS ARE COLOR CODED. "A", "B", AND "C" DIES ARE NOT COLOR CODED. NESTS AND INDENTOR TYPE ARE NOT COLOR CODED.
- X8CABT & U8CABT DIES USED ON YAZ6C-- HYLUG™ NOT YAZ5C--HYLUG™.



TO ORDER BURNDY® PRODUCTS CALL		HYLUG™	
UNITED STATES 1-800-346-4175 (LONDONDERRY, NH)		ITEM NO: N/A	CAT. NO: YAZ--2N(SEE TABLE)
CANADA: 1-800-361-6975 (QUEBEC) 1-800-387-6487 (ALL OTHER PROVINCES)		DRAWN BY: D BOISVERT 2/08/99	CHECKER: J MICHAUD 2/06/99
FOR PRODUCT INFO: http://www.burndy.com		DSN APPVL: B MACDONALD 2/06/99	MFG APPVL: N/A
		QA APPVL: S GRAY 2/09/99	MKT APPVL: K.WOO 2/06/99
		PROJ #:	SCALE: 1:1
		SIZE: D	DRAWING NO: SE211937
		DOCUMENT TYPE: Sales	SHEET 1 OF 8
		REL LEVEL: Released	REV: B

REV: PE0200