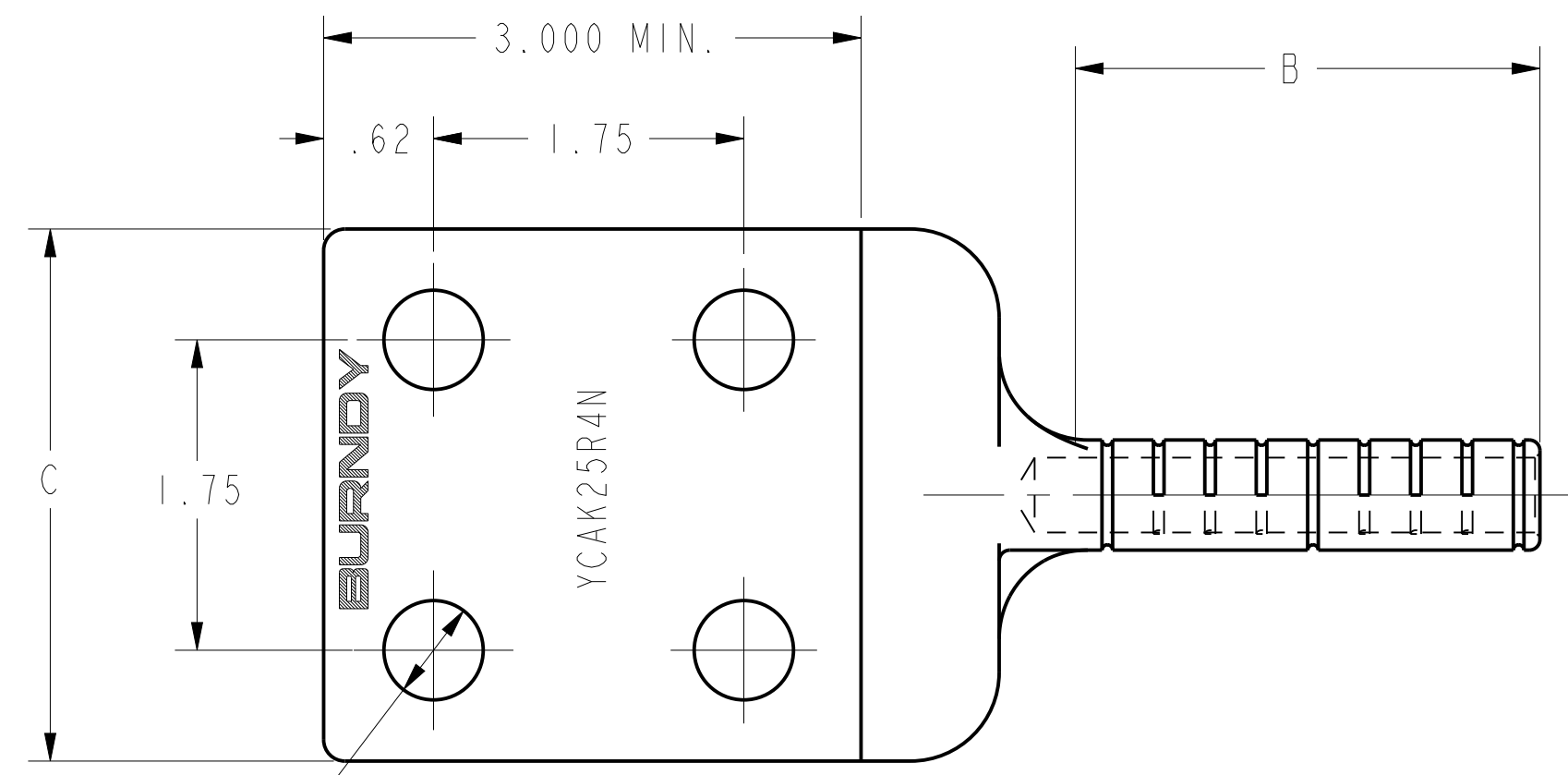
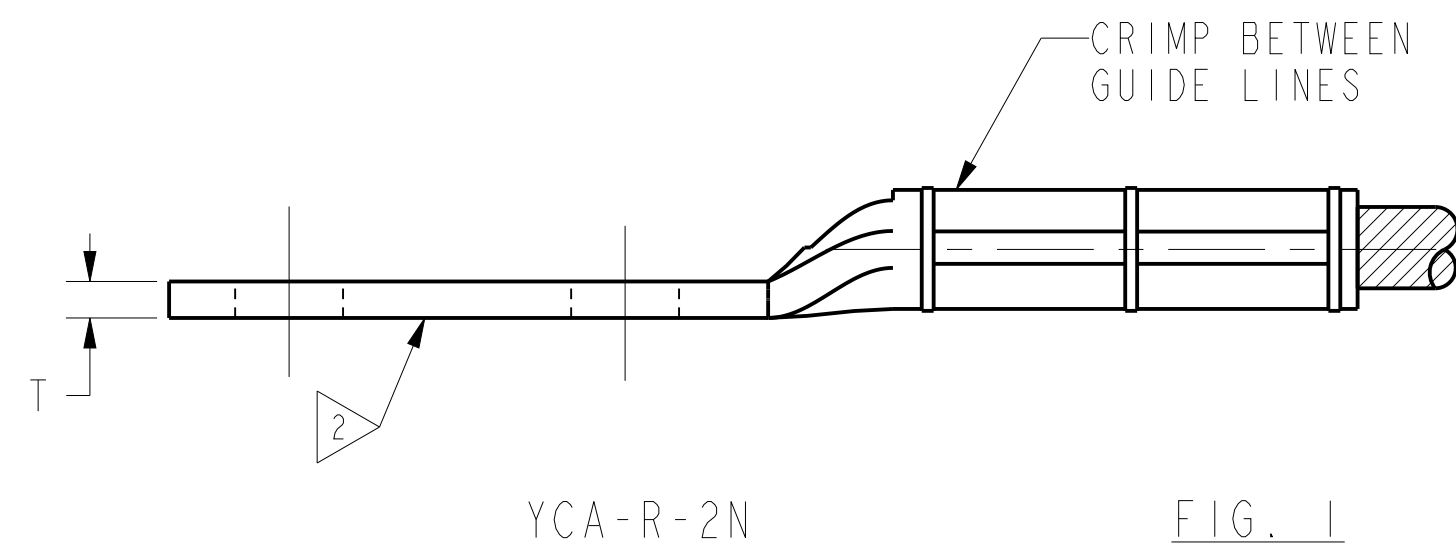
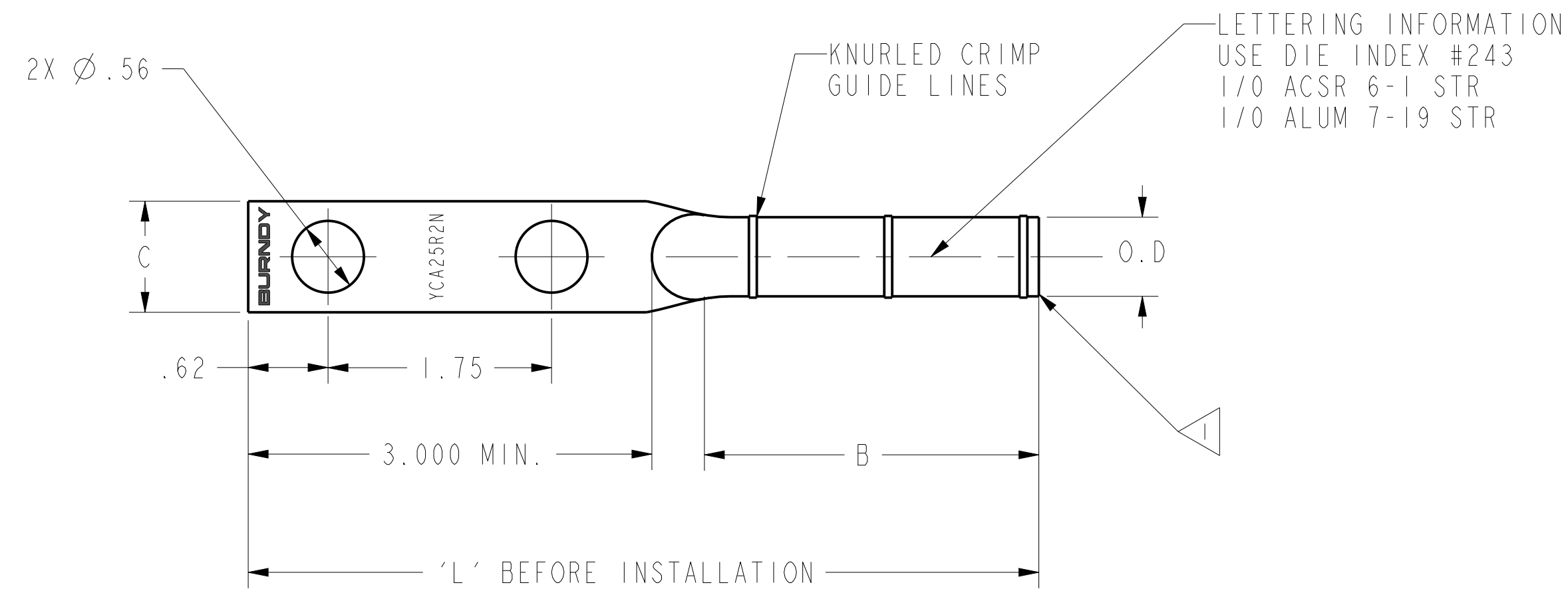
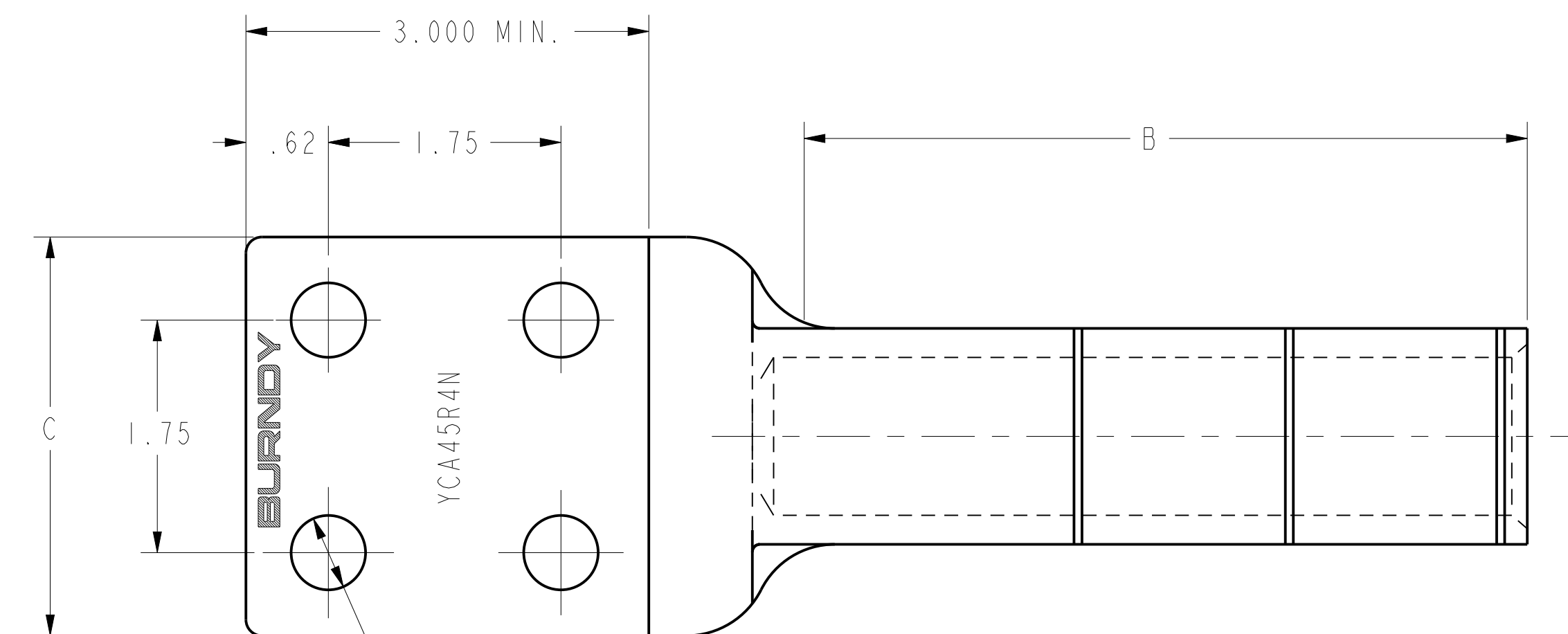


REV	DATE	DESCRIPTION	ECO	BY	C'H'K.
L	2023-03-16 01:00:00 EDT	NOTE 11 ADDED AS PER MARKUP	230315028705	YR	RA

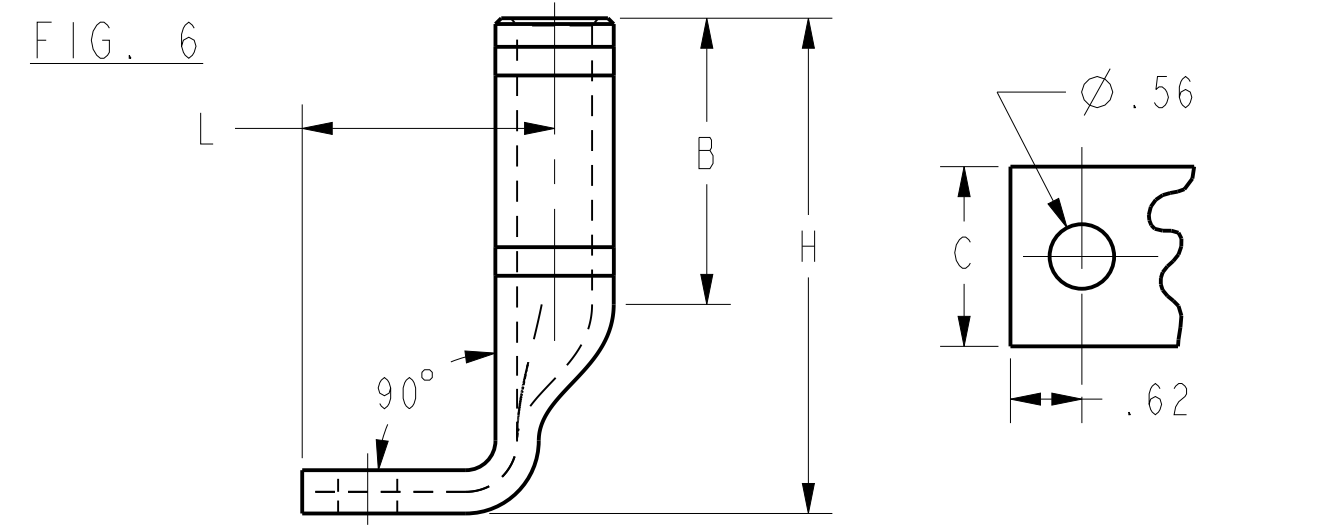
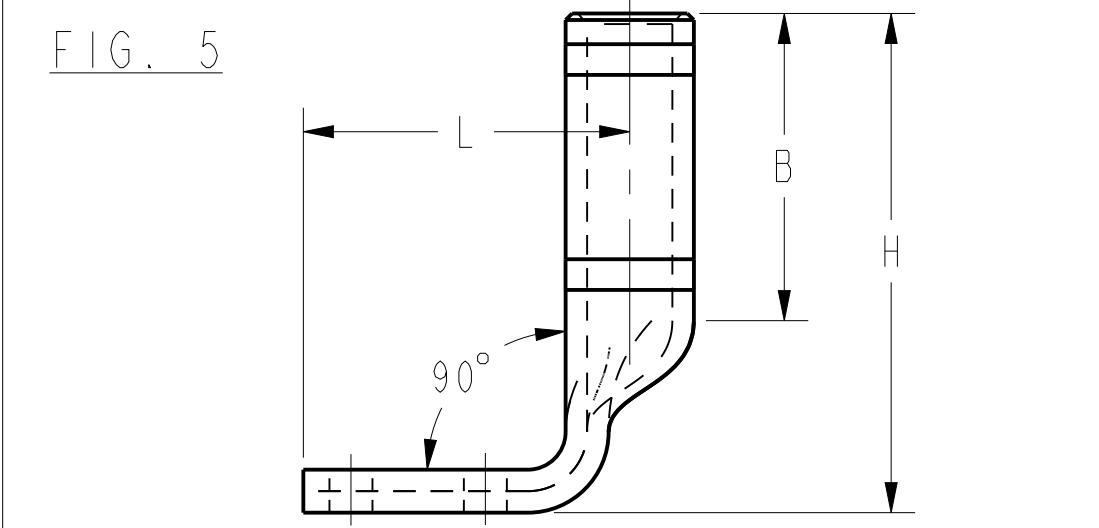
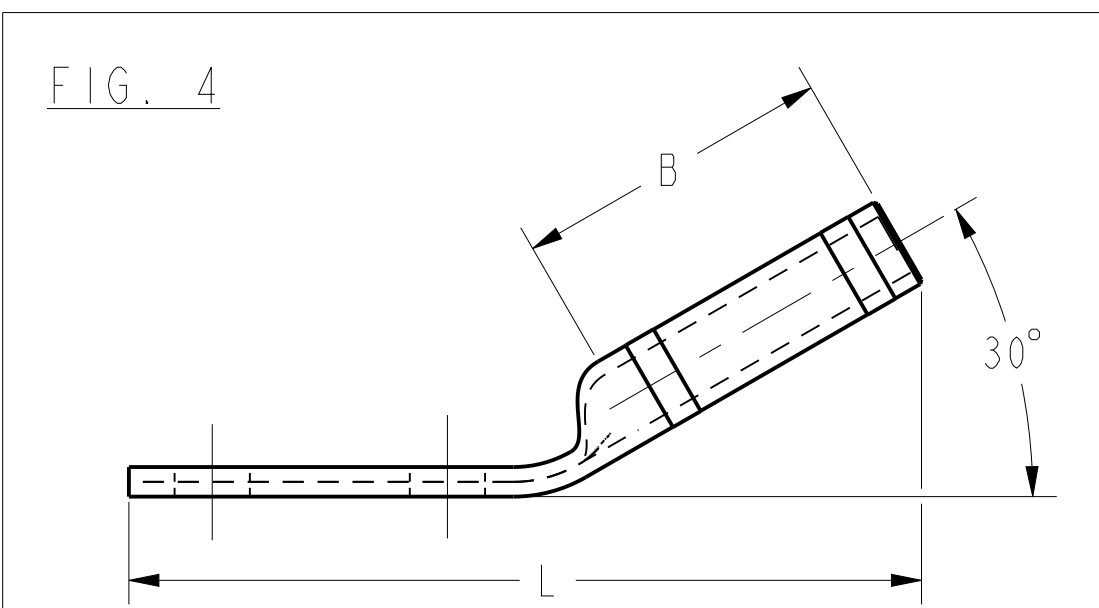
TYPICAL LETTERING AS SHOWN



YCAK-R-4N FIG. 2



YCA-R-4N FIG. 3



NOTES:

- 1 BARRELS PARTIALLY FILLED WITH PENETROX™ & SEALED.
- 2 TONGUE COATED WITH AN OXIDE RETARDANT.
- 3 CAST CONNECTOR.
- 4 FLAT SIDED BARREL.
- 5 CRIMPS WILL OVERLAP WHEN USING Y48B, Y436RB HYPRESSES™.
- 6 HYTOOLS™ MD5-3, MD5-4, MD5-7, MD5-9, MD5-12.
- 7 CRIMPS OVERLAP.
- 8 ALTERNATE CAT. NO. YCA50R2N, YCA50R4N.
- 9 "TN" AT THE END OF CAT. NO. INDICATES THE CONNECTOR WILL BE SUPPLIED TIN PLATED.
- 10 FOR UNDRILLED VERSIONS ADD SUFFIX LETTER "U" TO END OF CATALOG NUMBER.
- 11 FOR NO PENETROX VERSION ADD SUFFIX "NP" TO END OF CATALOG NUMBER.

MATERIAL: ALUMINUM  
FIG. 1 & 3 - TUBE  
FIG. 2 - CAST

TO ORDER BURNDY@PRODUCTS CALL		HYLUG™ (ACSR & AL.) NEMA	
UNITED STATES: 1-800-346-4175 (LONDONDERRY, NH)		ITEM NO: ---	
CANADA: 1-800-361-6975 (QUEBEC) 1-800-387-6487 (ALL OTHER PROVINCES)		CAT. NO: SEE TABLE	
FOR PRODUCT INFO: <a href="http://www.burndy.com">http://www.burndy.com</a>		DRAWN BY: B.L.C. 7-14-61	
		CHECKER: EPG 7-26-61	
		DSN APPVL: -- --	
		MFG APPVL: -- --	
		QA APPVL: -- --	
		MKT APPVL: -- --	
		SCALE: 1:1	
		PROD FAM: --	
		DRAWING NO	
		PROJECT #: --	
		SIZE	
		SD029515	
		DOCUMENT TYPE: Sales	
		SHEET 1 OF 4	
		REL LEVEL: Released	
		REV	
		L	


REV: CREO 08/10/21

DRAWING NO. SD029515		7		6		5		4		3		2		1																																													
CATALOG NUMBER	CONDUCTOR RANGE				FIG. NO.	B	C	L (APPROX)	O.D.	T	TOOL INDEX NO.	INSTALLATION DATA										SEE NOTE NO.																																					
	ACSR		ALUM									HYTOOL™ WITH NO. OF CRIMPS					HYPRESS™ & DIE SET WITH NO. OF CRIMPS																																										
	AWG Kcmil	STR	AWG Kcmil	STR								MD4 (DIE SET)	MD5	MD6 (DIE SET)	Y34A	Y35/Y750	Y48B	Y486RB	Y60																																								
D YCA4R2N	#4 (.250) (.257)	6-1 7-1	#4 (.232)	7	1	1.61	1.25	5.66	.42	.25	237	W3-T	5	MD5-1	5	W237	8	A4RYF	2	U4RYFT	2									3																													
																															YCA2R2N	#2 (.316) (.325)	6-1 7-1	#2 (.292)	7	1	1.61	1.25	5.90	.52	.25	239	W3-T W8-T	5	MD5-1	5	W239	8	A2RYF	2	U2RYFT	2							3
YCA25R2N	1/0 (.398)	6-1	1/0 (.373)	7,19	1	2.39	.87	6.19	.62	.19	B-G 243	MD3	8	W4-T W5-T W8-T	8	6	8	B-G GROOVE W-243	8	A25RYF	2	U25RYFT	2	--	-																																		
YCAK25R4N					2	2.62	3.00	6.86		.31																																																	
YCA26R2N	2/0 (.447)	6-1	2/0 (.419)	7,19	1	2.43	.97	6.30	.70	.22	245			W5-T	8	MD5-7	8	W245	4	A26RYF	2	U26RYFT	2	--	-									L26RYFT1																									
YCAK26R4N					2	2.60	3.00	6.86		.31													C245	1																																			
YCA27R2N	3/0 (.502)	6-1	3/0 (.470)	7,19	1	2.74	1.08	6.73	.78	.25	247							W247	6	A27RYF	3	U27RYFT	3	--	-										5																								
YCAK27R4N	110.8 (.481)	12-7			2	3.00	3.00	7.36		.31													C247	2																																			
YCA28R2N	4/0 (.563)	6-1	4/0 (.528)	7,19	1	2.80	1.21	6.83	.88	.28	249							W249	6	A28RYF	3	U28RYFT	3	--	-										5																								
YCAK28R4N		6-7			2	3.10	3.00	7.36		.31																																																	
YCA30R2N	266.8 (.609)	18-1	266.8 (.593)	7,19	1	2.57	1.42	6.71		.32																																																	
YCAK30R4N	(.633) (.642)	6-7 26-7			2	2.65	3.00	7.38	1.00	.38	251									A30RYF	4	U30RYFT	4	--	-																																		
YCA321R2N	336.4 (.684)	18-1	336.4 (.666) 350 (.678)	19	1	2.68	1.54	6.95	1.12	.41	321									A321RYF A301AYD	4	U705 U321RYFT U301AYDT	4	--	-										4																								
YCAK321R4N			(.681)	37,61	2	2.74	3.00	7.09		.38																																																	
YCA33R2N	336.4 (.721)	26-7	397.5 (.724)	19	1	3.00	1.60	7.29	1.14	.35	316												U33RYFT U705	4	--	-	--	-								5																							
YCAK33R4N	(.741)	30-7			2	3.05	3.00	7.34		.38																																																	
YCA35R2N	397.5 (.783)	26-7	477 (.793)	19	1	3.02	1.84	7.44	1.25	.35	317												U35RYFT	4	--	-										5																							
YCAK35R4N	(.743) (.806)	18-1 30-7	(.795) 500 (.813)	37,61	2	3.05	3.00	7.34		.38																																																	
YCA361R2N	477 (.814)	18-1	500 (.813)	37,61	1	3.24	1.82	7.69	1.30	.44	327												U361RYFT	5	--	-										5																							
YCAK361R4N					2	3.32	3.00	7.65		.38																																																	
YCA37R2N	477 (.846)	24-7	556.5 (.856)	19	1	3.65	1.94 MAX	8.15	1.36	.415	261												U261	5	--	-	--	-								5																							
YCAK37R4N	(.858) (.883)	26-7 30-7	(.858)	37	2	3.73	3.00	8.09		.38	M																																																
	556.5 (.879)	18-1																					U35RYFT	4																																			
YCA521R2N	1272 (1.345)	45-7			1	6.41	3.09	11.50	2.25	.8	648																																																
YCA521R4N					3																																																						
	1590 (1.508)	45-7							2.50		729																																																
YCAK549R4N					2	8.44	3.00	13.69		1.00																																																	
YCAK463A4N			1600 (1.459)	127	2	6.50	3.00	11.62	2.26	.75	478														C478	2	F478	2	L478																														
YCA28R2NBL5	4/0 (.563)	6-1 7-1	4/0 (.528)	7,19	1	5.31	1.21	9.03	.88	.28	249							W249	12	A28RYF	6	U28RYFT	6	C249	5										5																								
YCAK28R4NBL5	4/0 (.563)	6-1 7-1	4/0 (.528)	7,19	2	5.00	3.00	9.26	.88	.31	249							W249	12	A28RYF	6	U28RYFT	6	C249	5										5																								

REV	DATE	DESCRIPTION	ECO	BY	C'K'
L	2023-03-16 01:00:00 EDT	NOTE 11 ADDED AS PER MARKUP	230315028705	YR	RA

REV: CREO 08/10/21

TO ORDER BURNDY@PRODUCTS CALL		HYLUG™ (ACSR & AL.) NEMA	
UNITED STATES: 1-800-346-4175 (LONDON DERRY, NH)		CAT. NO: --	ITEM NO: --
CANADA: 1-800-361-6975 (QUEBEC) 1-800-387-6487 (ALL OTHER PROVINCES)		FOR PRODUCT INFO: <a href="http://www.burndy.com">http://www.burndy.com</a>	SCALE: 1:1
DRAWING NO: SD029515		PROJECT #: --	SIZE: D
DOCUMENT TYPE: Sales		REL LEVEL: Released	
SHEET 2 OF 4		L	



CATALOG NUMBER	CONDUCTOR RANGE				FIG. NO.	B	C	L (APPROX)	O.D.	T	TOOL INDEX NO.	INSTALLATION DATA										SEE NOTE NO.	
	ACSR		ALUM									HYPRESSTM & DIE SET WITH NO. OF CRIMPS											
	AWG Kcmil	STR	AWG Kcmil	STR								Y45L		Y35/Y750		Y48B		Y486RB		Y60			
YCA39R2N	556.5 (.914)	24-7			1	3.59	2.08	8.31	1.50	.53	608	S-608	2	U39RYFT	6	--	-	--	-			4	
YCAK39R4N	(.927)	26-7			2	3.56	3.00	8.06		.50													
YCA361A2N					1	3.59	2.08	8.22	1.50	.53	469	S-469	4			C469	2						
YCAK361A4N			636 (.918)	37	2	3.56	3.00	8.55		.50													
YCA43R2N	605 (.994)	30-19	795 (1.026)	37	1	5.30	2.48	10.28		.78													
YCAK43R4N	636 (.977)	24-7	(1.028)	61	2	5.25	3.00	9.69		.62	292 OR 319	S-292				--	-	--	-			4	
	(.990)	26-7		61					1.84			S-578	6										
	(1.019)	30-19	700 (.964)	61								S-319											
	666.6 (1.000)	24-7	750 (.998)	61																			
YCA391A2N			795 (1.026)	37	1	5.24	2.32	10.06	1.67	.58	342	S-342	6			--	-						
YCAK391A4N			750 (.998)	61	2	5.25	3.00	9.88		.56													
YCA453R2N	795 (1.04)	36-1			1	5.31	2.52	10.28		.70	292 OR 578	S-292	6			C292	3	F412RYF-1	3			4	
YCAK453R4N	715.5 (1.051)	26-7			2	5.25	3.00	9.64	1.84	.62		S-578				--	-	--	-				
	795 (1.063)	45-7																					
YCA45R2N	795 (1.093)	54-7	900 (1.094)	61,91	1	5.31	2.55	10.28		.65		S-352										4	
YCAK45R4N	(1.108)	26-7	954 (1.126)	37,61	2	5.25	3.00	9.64	1.84	.62	352		6										
YCAK45R4N30			1000 (1.152)	61	4	5.25	3.00	10.00		.62		S579				C352 C579	3	F45RYF	3			3	
	1033.5 (1.186)	36-1								--													
	1033.5 (1.219)	45-7																					
YCA48R2N	954 (1.196)	54-7			1	4.75	2.89	10.00	2.12	.86	575					C575	3	F48RYF	3			4	
YCA48R4N	954 (1.165)	45-7																					
	900 (1.162)	54-7			3	4.75	3.00	10.00		.77													
YCA441A2N			1033.5 (1.170)	37	1	4.73	2.85	10.00		.86													
			(1.172)	61					2.12		575						C575	3	F48RYF	3			4
YCA441A4N			1113 (1.216)	61	3	4.75	3.00	10.00		.77													
YCA49R2N	1033.5 (1.246)	54-7			1	4.90	2.92	10.16		.80													
YCAK49R4N	1113 (1.259)	45-7			2	4.88	3.00	9.50	2.12	.75	422							F49RYF	3			4	
YCA49R4N					3	4.90	3.16	10.16		.69													
YCA451A2N					1	4.92	3.00	10.19		.69	422								F49RYF	3			
YCA451A4N	1113 (1.293)	54-19	1272 (1.309)	61	3	4.92	3.00	10.19	2.12	.69												4	
YCA51R4N	1192.5 (1.333)	54-13							2.35	.91	684								F51RYR	3			
YCAK50R4N	1113 (1.293)	54-19	1272 (1.300)	61	2	4.88	3.00	9.50	2.12	.75	422								F49RYF	3		4	
YCA391A2N30			795 (1.026)	37	4	5.24	2.32	10.00	1.67	.58	342	S-342	6					C342	3				

REV	DATE	DESCRIPTION	ECO	BY	C'H'K.
L	2023-03-16 01:00:00 EDT	NOTE 11 ADDED AS PER MARKUP	230315028705	YR	RA

REV: CREO 08/10/21

TO ORDER BURNDY@PRODUCTS CALL  
 UNITED STATES: 1-800-346-4175 (LONDONDERRY, NH)  
 CANADA: 1-800-361-6975 (QUEBEC)  
 1-800-387-6487 (ALL OTHER PROVINCES)  
 FOR PRODUCT INFO: <http://www.burndy.com>

HYLUGTM (ACSR & AL.) NEMA

ITEM NO: --  
 CAT. NO: SEE TABLE  
 DRAWN BY: B.L.C. 7-14-61  
 CHECKER: EPG 7-26-61  
 DSN APPVL: --  
 MFG APPVL: --  
 QA APPVL: --  
 MKT APPVL: --

SCALE: 1:1

PROD FAM: -- DRAWING NO: SD029515  
 PROJECT #: -- SIZE: D  
 DOCUMENT TYPE: Sales SHEET 3 OF 4  
 REL LEVEL: Released

REV	DATE	DESCRIPTION	ECO	BY	CHK.
L	2023-03-16 01:00:00 EDT	NOTE 11 ADDED AS PER MARKUP	230315028705	YR	RA

CATALOG NUMBER	CONDUCTOR RANGE				FIG. NO.	B	C	H	L (APPROX)	O.D.	T	TOOL INDEX NO.	INSTALLATION DATA												SEE NOTE NO.									
	ACSR		ALUM										HYTOOL™ WITH NO. OF CRIMPS						HYPRESS™ & DIE SET WITH NO. OF CRIMPS															
	AWG Kcmil	STR	AWG Kcmil	STR									MD4 (DIE SET)		MD5	MD6 (DIE SET)		Y34A	Y35/Y750	Y45L	Y48B	Y486RB	Y60											
YCAK391A4N90			795 (1.026) 750 (.998)	37 61	5	5.25	3.00	6.50	4.25	1.67	.56	342							S342	6	C342	3												
YCAK521R4N	1272 (1.345)	45-7			2	6.34	3.00		10.59	2.255	.75	648												F49RYF-I	4	L49RYFI	4	5						
YCAK451A4N90			1272 AAC (1.300) 1351.5 AAC (1.340)	61 61	5	4.88	3.00	6.15	4.69	2.13	.75	422												F49RYF	3	4	5							
YCA25R2N30	1/0 (.398)	6-1	1/0 (.373)	7,19	4	2.39	.87		5.81	.62	.19	BG 243	MD3	8	W4-T W5-T W8-T	8	6	8	W-BG W243	8	4	A243	2	U243	2		C243	1		L243	1			
YCA26R2N30	2/0 (.447)	6-1	2/0 (.419)	7,19	4	2.43	.97		5.91	.70	.22	245			W5-T	8	MD5-7	8	W245	4	A245	2	U245	2		C245	1		L245	1				
YCA28R2N30	4/0 (.563)	6-1 6-7	4/0 (.528)	7,19	4	2.80	1.21		6.38	.88	.28	249							W249	6	A249	3	U249	3		C249			L249	5				
YCA321R2N30	336.4 (.684)	18-1	336.4 (.666) 350 (.678) (.681)	19 19 37,61	4	2.68	1.54		6.45	1.12	.41	490 705 321									A490 A321	4	U490 U705 U321	4		C490 C321		F490	L490	4 5				
YCA33R2N30	336.4 (.721) (.741)	26-7 30-7	397.5 (.724)	19	4	3.00	1.60		6.69	1.14	.35	316 705											U316 U705	4		C316		F316	L316	5				
YCA33R2N90	336.4 (.721) (.741)	26-7 30-7	397.5 (.724)	19	5	3.00	1.60	5.32	4.04	1.14	.35	316 705											U316 U705	4		C316			L317					
YCA35R2N30	397.5 (.783) (.806) (.743)	26-7 30-7 18-1	477 (.783) (.795) 500 (.813)	19 37 37,61	4	3.02	1.84		6.84	1.25	.35	317												U317	4		C317		F317	L317	5			
YCA37R2N90	477 (.846) (.858) (.883) 556.5 (.879)	24-7 26-7 30-7 18-1	556.5 (.856) (.858)	19 37	5	3.69	1.90	5.61	3.95	1.36	.415	261												U261	5		C261	2	F37RYF	2	5			
YCA39R2N30	556.5 (.914) (.927)	24-7 26-7			4	3.59	2.08		7.59	1.50	.53	608												U608	6	S608	2	C608	2	F608	2	L608	2	4
YCA453R2N30	795 (1.04) (1.063) 715.5(1.051)	36-1 45-7 26-7			4	5.31	2.53		9.25	1.84	.70	292													S292	6	C292	3	F292	3	L292	3	4	
YCA321R2N90	336.4 (.684)	18-1	336.4 (.666) 350 (.678) (.681)	19 19 37,61	6	2.68	1.54	4.69	2.39	1.12	.41	490 705 321									A490 A321	4	U490 U705 U321	4		C490 C321		F490	L490	4 5				
YCA35R2N90TN	397.5 (.783) (.806) (.743)	26-7 30-7 18-1	477 (.783) (.795) 500 (.813)	19 37 37,61	5	3.02	1.84	5.04	4.14 MAX.	1.25	.35	317												U317	4		C317		F317	L317	5			
YCA43R2N90	605 (.994) 636 (.977) (.990) (1.019) 666.6 (1.000)	30-19 24-7 26-7 30-19 24-7	795 (1.026) (1.028) 700 (.964) 750 (.998)	37 61 61 61	5	5.30	2.48	8.73	4.40	1.84	.78	292 OR 319												S-292 S-578 S-319	6		C292 C319	3	F412RYF-I F43RYF	3	4			

D

C

B

A

D

C

B

A

REV: CREO 08/10/21

HYLUG™ (ACSR & AL.) NEMA

TO ORDER BURNDY@PRODUCTS CALL  
 UNITED STATES:  
 1-800-346-4175 (LONDONDERRY, NH)  
 CANADA:  
 1-800-361-6975 (QUEBEC)  
 1-800-387-6487 (ALL OTHER PROVINCES)  
 FOR PRODUCT INFO: <http://www.burndy.com>

ITEM NO: --  
 CAT. NO: SEE TABLE  
 DRAWN BY: J.R.H 12-8-69  
 CHECKER: J.P.S 12-10-69  
 DSN APPVL: M.G 12-10-69  
 MFG APPVL: --  
 QA APPVL: --  
 MKT APPVL: --

SCALE: 1:1

PROD FAM: -- DRAWING NO: --  
 PROJECT #: -- SIZE: --  
 DOCUMENT TYPE: Sales SHEET 4 OF 4  
 REL LEVEL: Released

**HUBBELL**  
**BURNDY**